

D

C

B

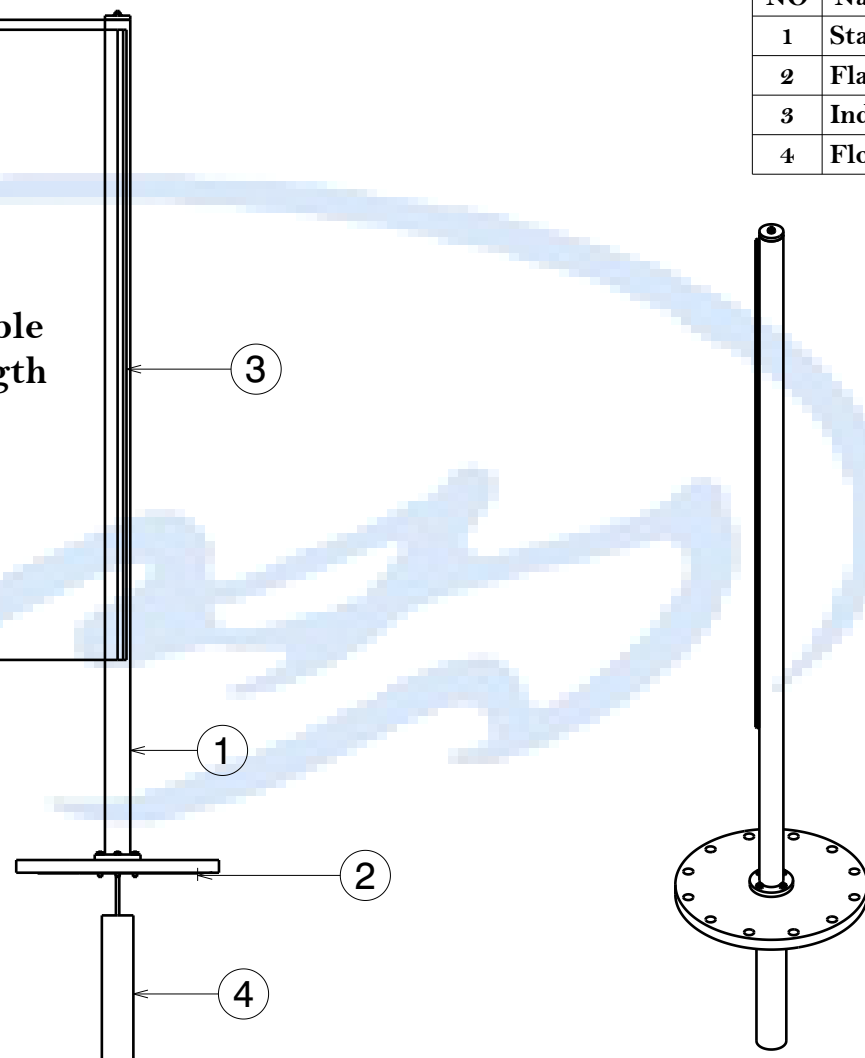
A

NO	Name Of Part
1	Stand Pipe
2	Flange
3	Indicator
4	Flotter

Visible Length:
 Body Material:
 Liquid Density:
 Process Conn.:
 Conn. Material:
 Stand Pipe:

Overall Length

Visible Length



DESCRIPTION:

Level Gauge Top Mounted

QTY:1

DRAWN BY: MS.Salari 1/22/2023
 CHECKED BY: MR.Ghasemi 1/28/2023
 DESIGNED BY: MR.Zalpour 1/23/2023

SCALE: N / A

PURCHASE:

NOTE:

Drawing Not to Scale
 Unit: mm

REV:0



ARAMAK SANAT HOOSHMAND

WWW.ARAMAKCO.COM

EMAIL: SAES@ARAMAKCO.COM

D

C

B

A

4

4

3

3

2

2

1

1