

D

C

B

A

NO.	Name of Part
1	Body
2	Gland
3	Instrument Conn.

4

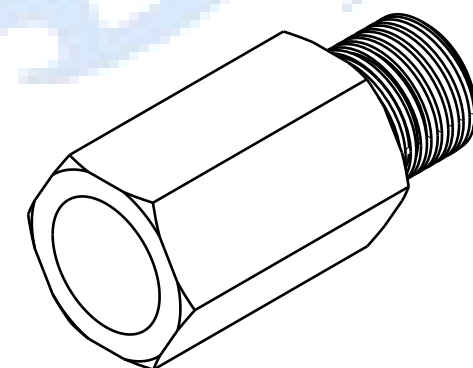
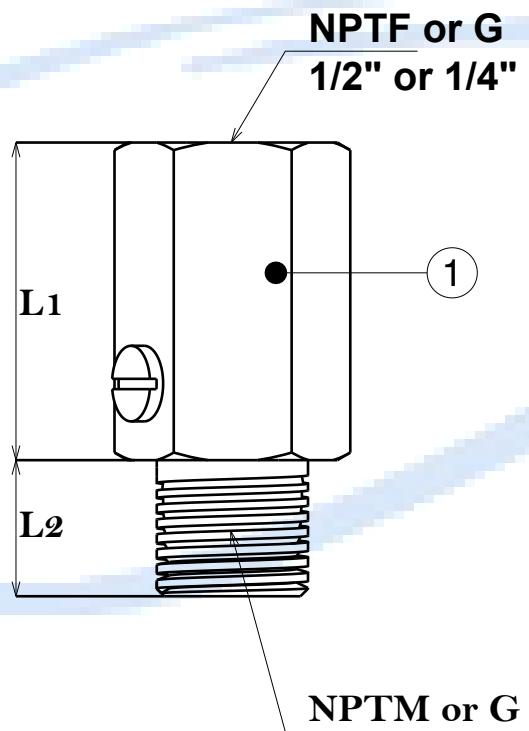
4

3

3

2

2



DESCRIPTION:

Snubber

QTY.:

1

1

DRAWN BY: MS.Salari 1/22/2023
 CHECKED BY: MR.Ghasemi 1/28/2023
 DESIGNED BY: MR.Zalpour 1/23/2023

SCALE: N / A

PURCHASE:

NOTE:
 Drawing Not to Scale
 Unit: mm

REV.:00 WWW.ARAMAKCO.COM



ARAMAK SANAT HOOSHMAND

EMAIL: SAES@ARAMAKCO.COM

D

C

B

A