

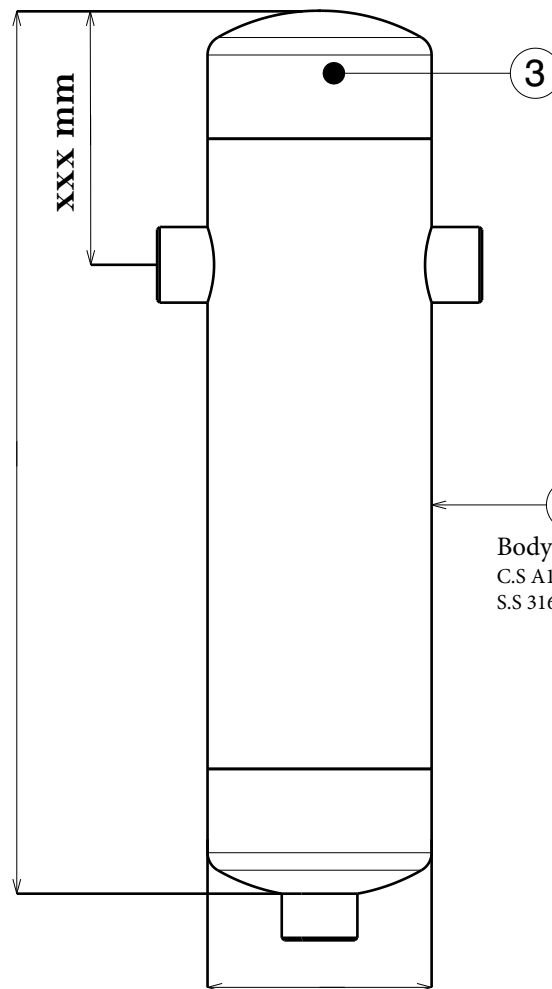
D

C

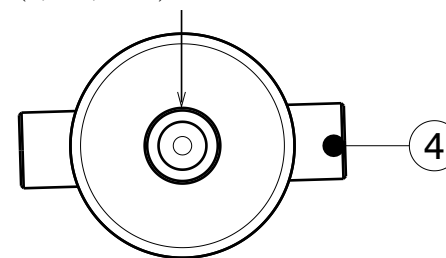
B

A

NO.	Name of Part
1	Body
2	Process Conn.
3	Cap
4	Tap

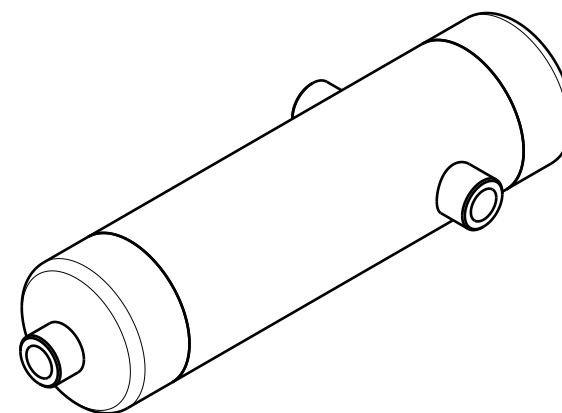


Tap Size/Type
 1/4", 1/2", 3/4", 1"
 (G, NPT, welded)



1
 Body/Cap material
 C.S A105/A256
 S.S 316/304/310/321

Pipe Size : 2 / 3 / 4"



DESCRIPTION:

Seal Pot

QTY.:

DRAWN BY: MS.Salari 1/22/2023
 CHECKED BY: MR.Ghasemi 1/28/2023
 DESIGNED BY: MR.Zalpour 1/23/2023

SCALE: N / A

PURCHASE:

NOTE:

Drawing Not to Scale
 Unit: mm

REV.:0



ARAMAK SANAT HOOSHMAND

WWW.ARAMAKCO.COM

EMAIL: SAES@ARAMAKCO.COM

D

C

B

A

4

3

2

1

4

3

2

1