

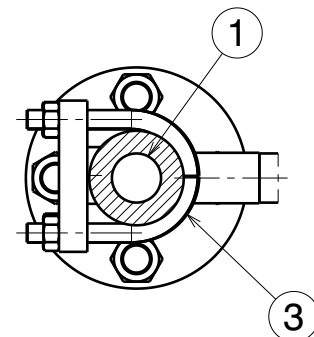
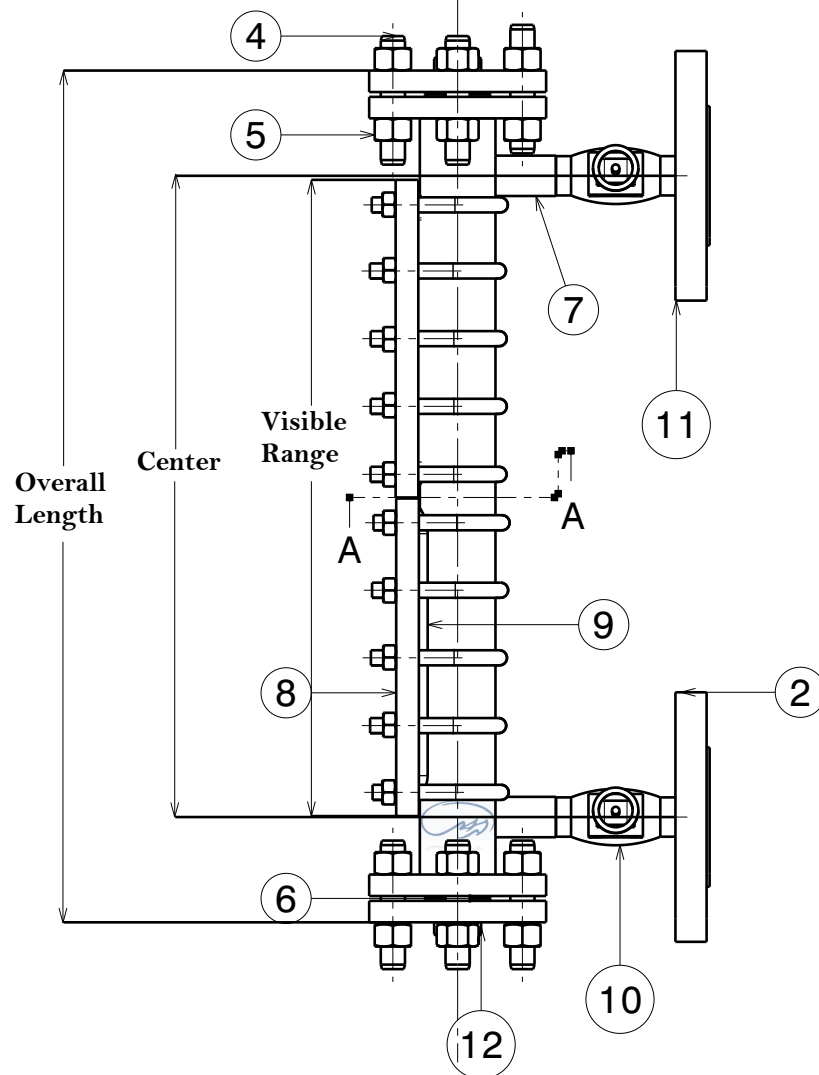
D

C

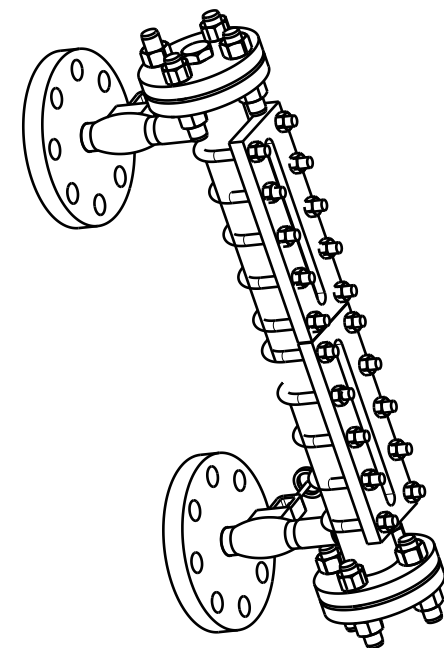
B

A

NO	Name Of Part
1	Stand Pipe
2	Flange
3	U Bolt
4	Stud
5	Nut
6	Gasket
7	Nipple
8	Cover
9	Glass
10	Ball Valve
11	Process Flange
12	Plug



Section view A-A  
Scale: 1:4



**DESCRIPTION:**

**Level Gauge Sight Glass Reflex**

**QTY:1**

DRAWN BY: MS.Salari 1/22/2023  
 CHECKED BY: MR.Ghasemi 1/28/2023  
 DESIGNED BY: MR.Zalpour 1/23/2023 SCALE: N / A

PURCHASE:

NOTE:  
 Drawing Not to Scale  
 Unit: mm

REV:0



**ARAMAK SANAT HOOSHMAND**

WWW.ARAMAKCO.COM

EMAIL: SAES@ARAMAKCO.COM

D

C

B

A