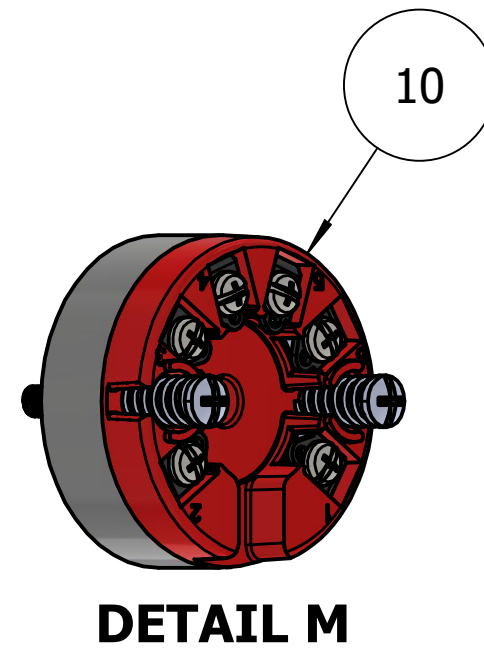
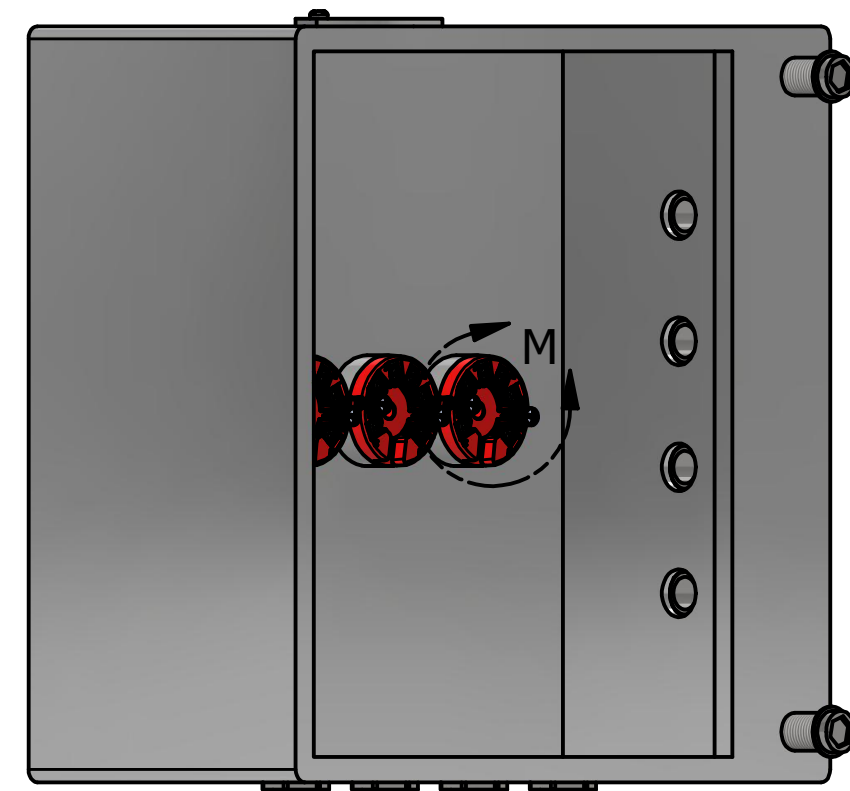
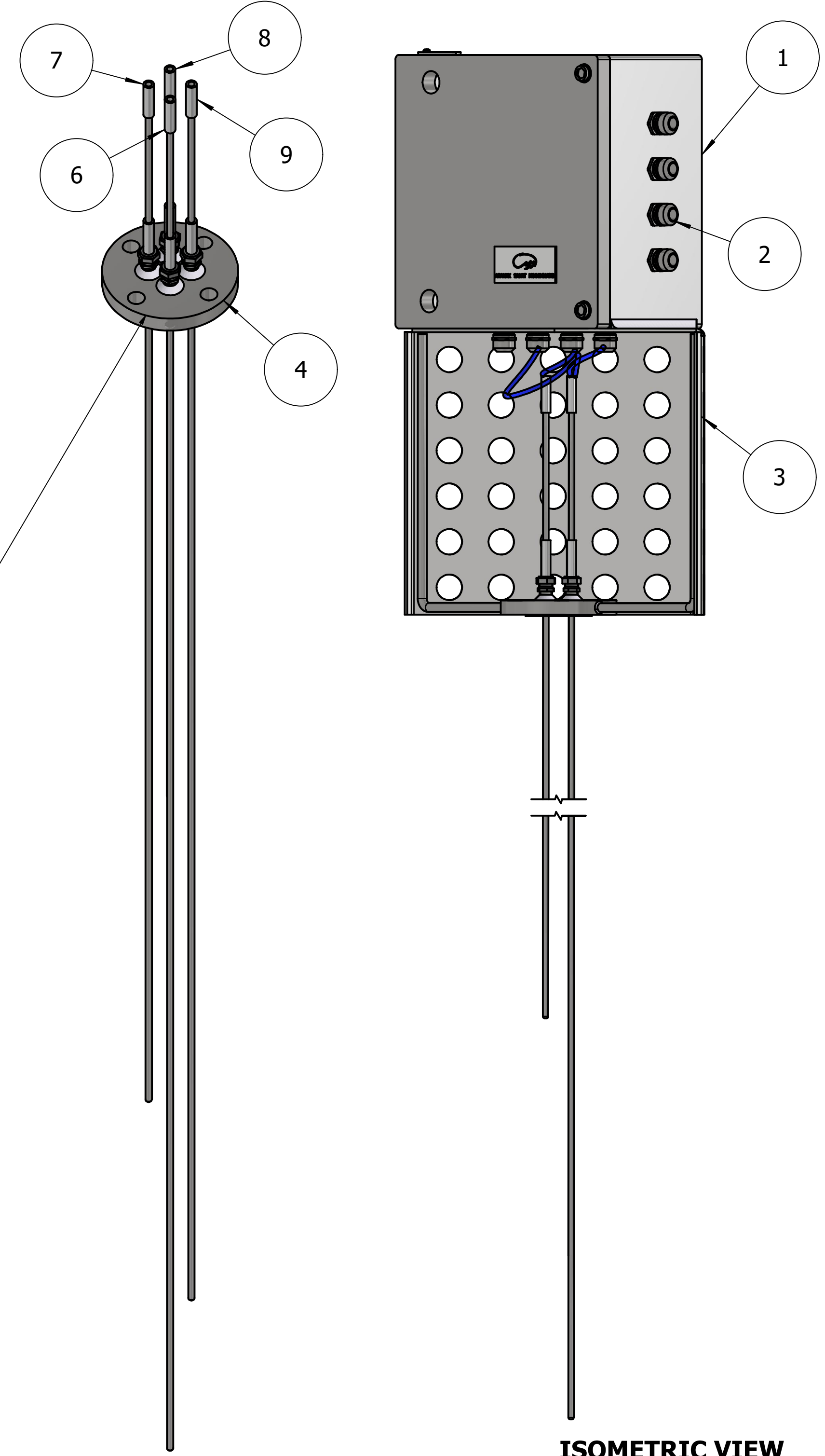
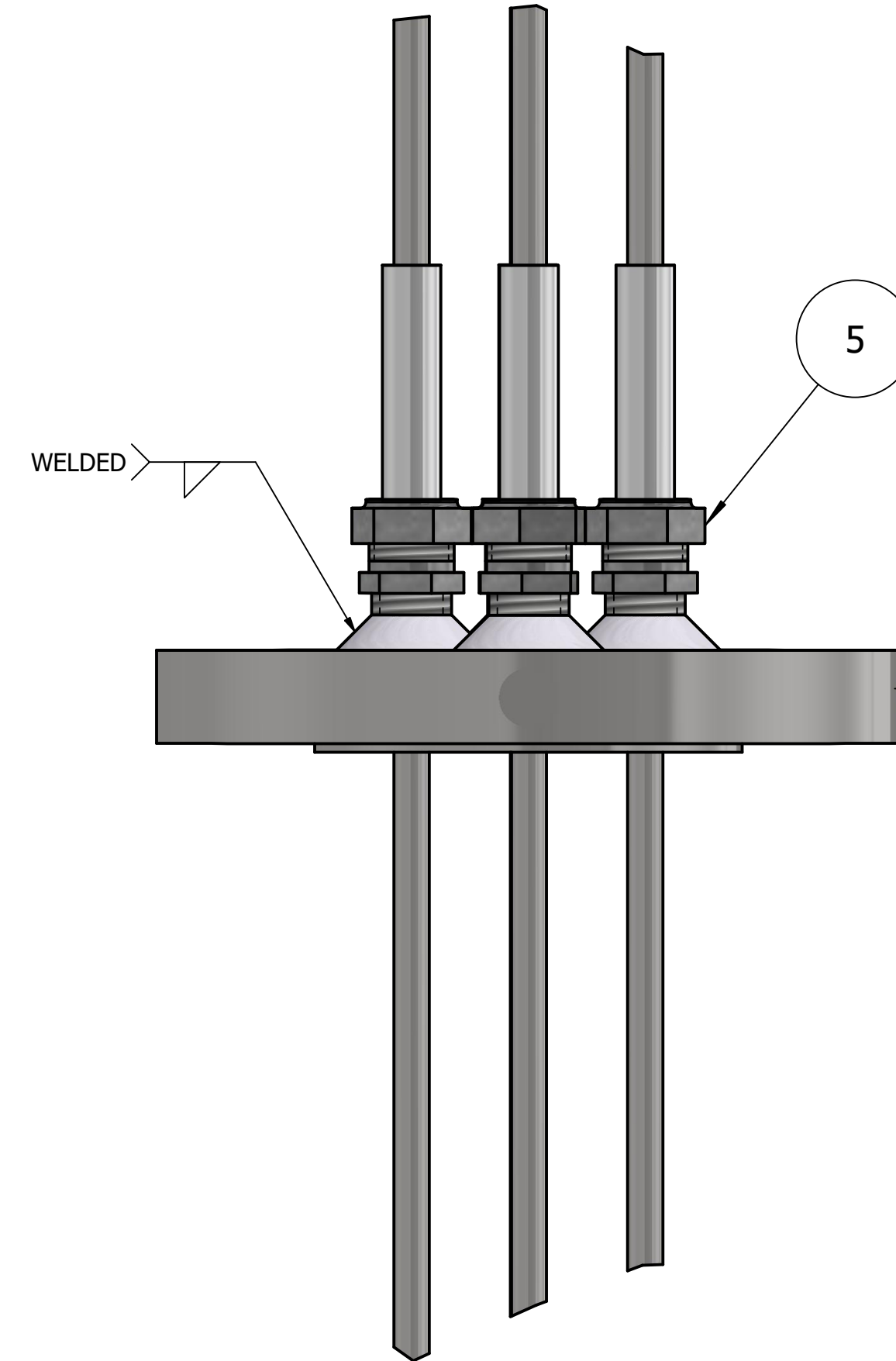
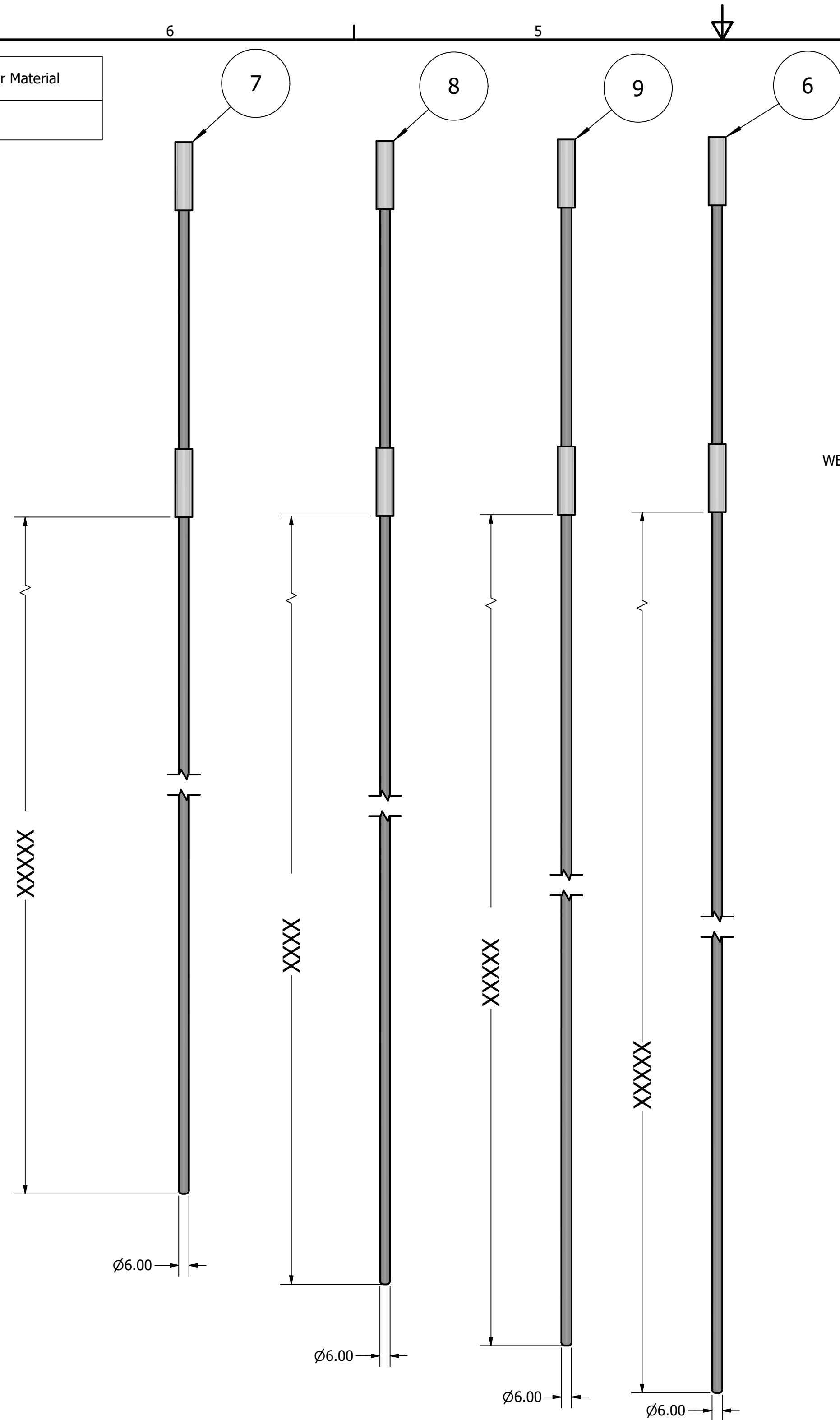


NO.	QTY.	WIRE LENGHT	TRANSMITTER TYPE	CONNECTION RATING	Sensor Material
1	1	4*200	HART 4-20 MA		



M.T.O			
NO.	DESCRIPTION	MATERIAL	QTY.
1	ALUMINIUM BOX 170*300*300	ALUMINIUM	1
2	GLAND M20*1.5		8
3	STAND SHEET	STEEL	1
4	FLANGE CONNECTION 1 1/2" RF	S.S 304	1
5	COMPRESSION FITTING	STAINLESS STEEL	4
6	THERMOELEMENT L:6980mm	INCONEL 600	1
7	THERMOELEMENT L:10780mm	INCONEL 600	1
8	THERMOELEMENT L:13400mm	INCONEL 600	1
9	THERMOELEMENT L:15180mm	INCONEL 600	1
10	TRANSMITTER 4-20mA, HART		4



DESCRIPTION:

DOUBLE THERMOCOUPLE TYPE K

DRAWN BY: MR.Yadegary 2026/02/26
CHEKED BY: MR.Zarrineh 2026/02/26
DESIGNED: MR.zalpour 2026/02/26

PURCHASE:

NOTE:

Drawing is not to scale
Unit:mm



ARAMAK SANAT HOOSHMADE