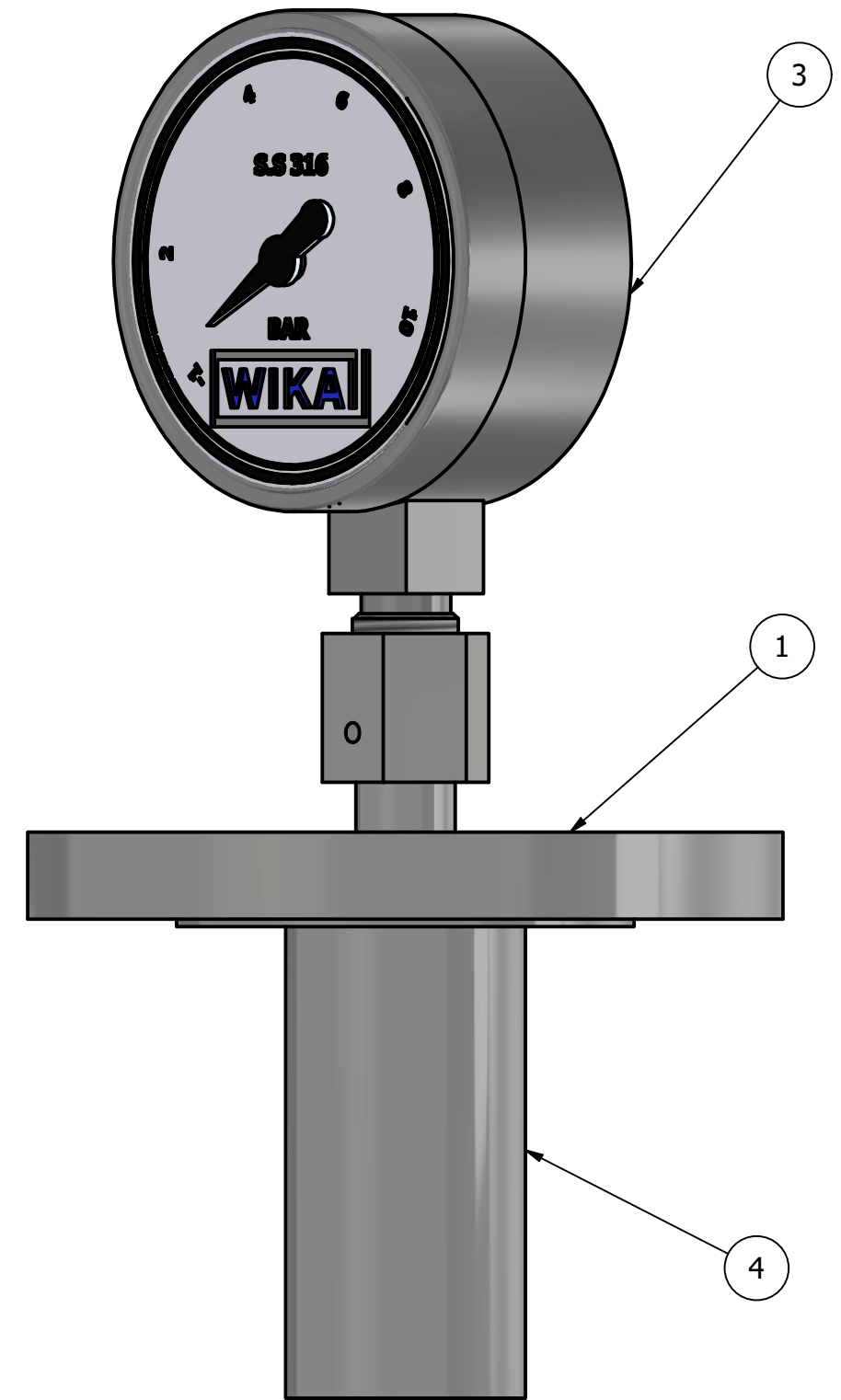
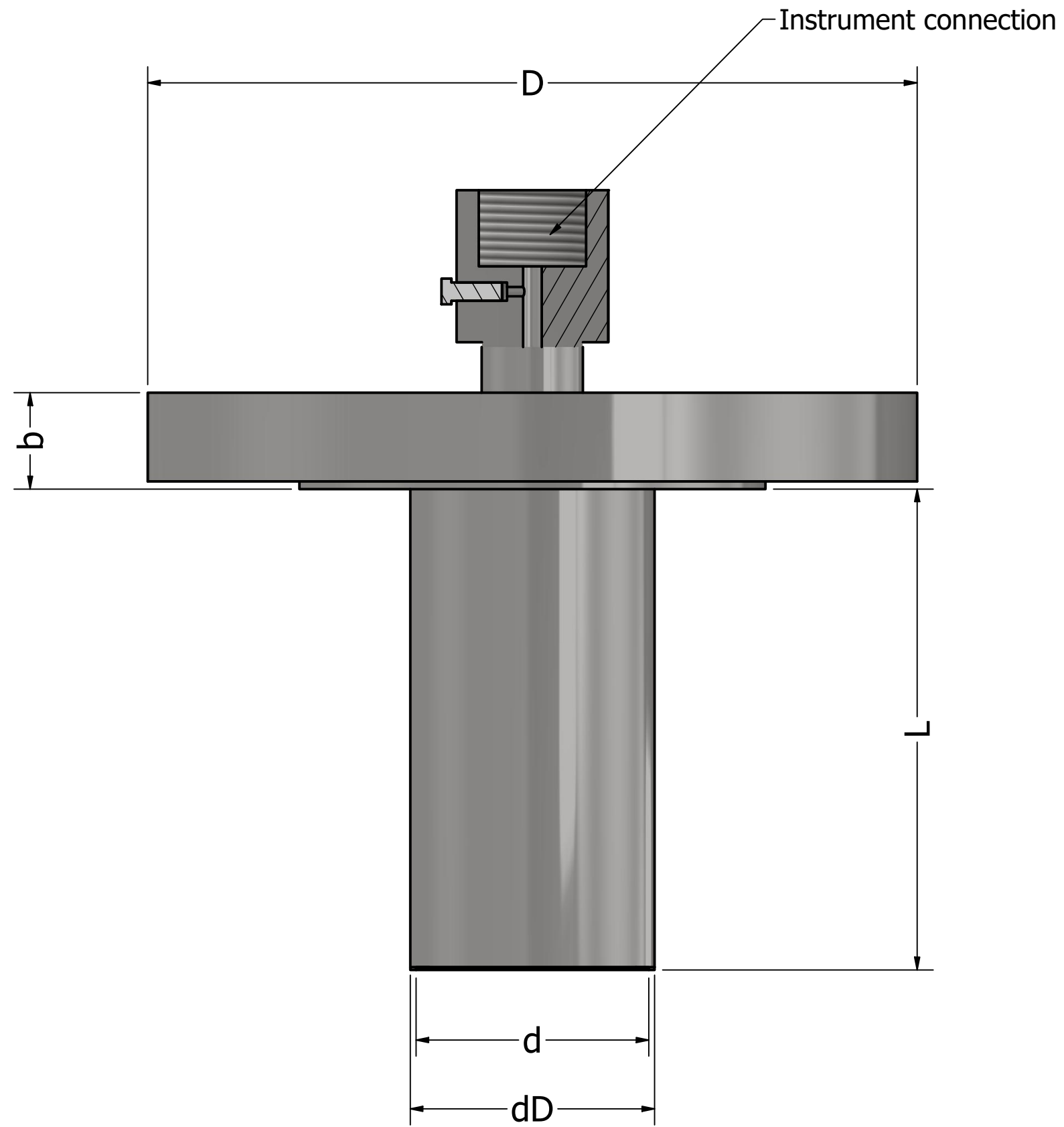
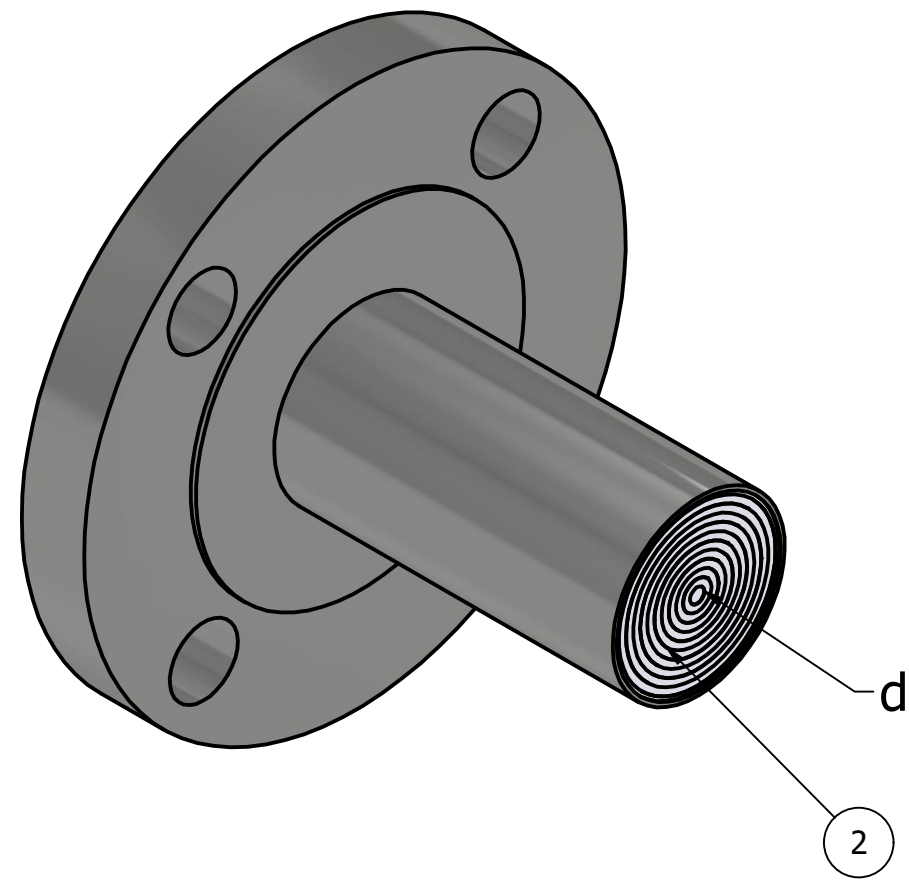


NO.	QTY.	TAG.	DESCRIPTION	MATERIAL	PROCESS CONNECTION	D	b	L	dD	d
1	1	XXX	Pressure Gauge with Diaphragm Seal	316L	1/2 NPT F	Ø152mm	19mm	100mm	Ø48.30mm	Ø46mm



TOLERANCE TABLE	
D DIM.	± 1 mm
d DIM.	±0.2mm
b DIM	±0.5 mm
L DIM	±1 mm

PART LIST			
ITEM	DESCRIPTION	MATERIAL	QTY.
1	FLANGE 2" #150	S.S 316L	1
2	Plate Diaphragm	S.S 316L	1
3	Pressure Gauge -1/10 BAR	S.S 316L	1
4	PIPE 1 1/2"	S.S 316L	1

DESCRIPTION:

LEVEL GAUGE

DRAWN BY: **MR.KHATIR**
 CHEKED BY: **MR.Yadegary**
 DESIGNED BY: **MR.zalpour**

2026/06/09
 2026/06/09
 2026/06/09

PURCHASE:

NOTE:
 Drawing is not to scale
 Unit:mm

ARAMAK SANAT HOOSHMAND

Rev:00 WWW.ARAMAKCO.COM

EMAIL: SALES@ARAMAKCO.COM