

D

C

B

A

NO	Name Of Part
1	Flange
2	Orifice Wafer
3	Stand Pipe
4	Corner Tap
5	Instrument Conn.
6	Stud
7	Nut

4

4

3

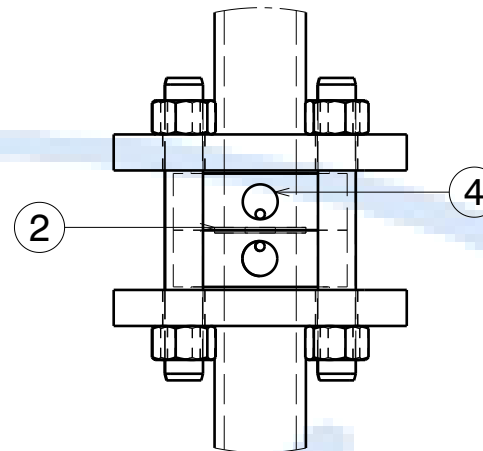
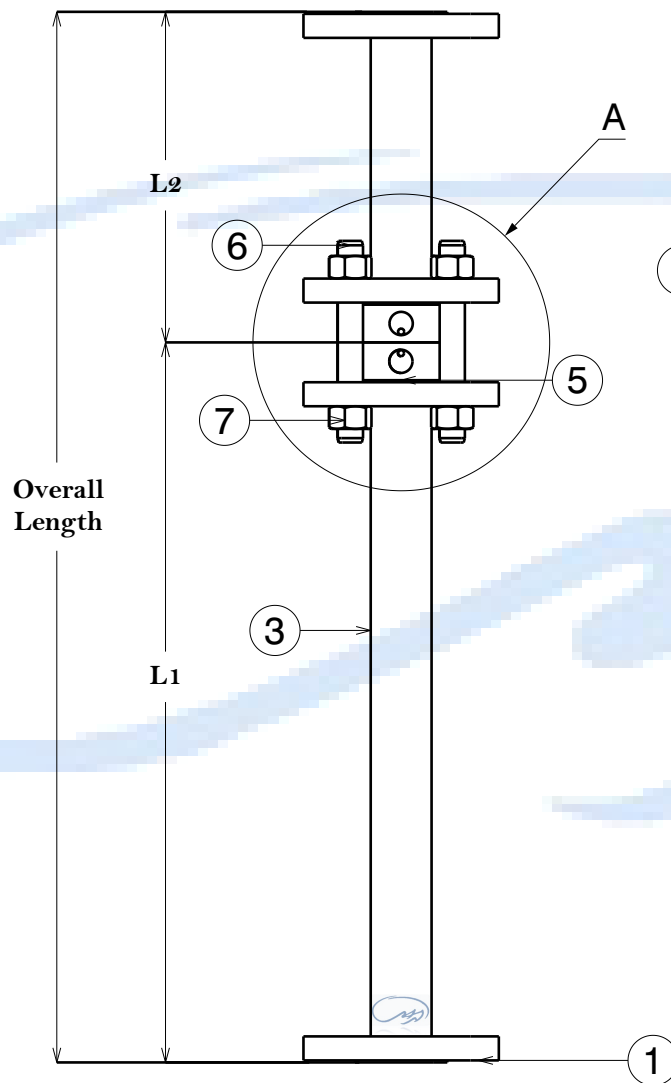
3

2

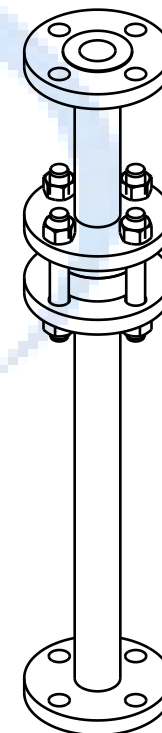
2

1

1



Detail A
Scale: 1:4



DESCRIPTION:

Meter Run (Corner Tap Conn.)

QTY.:

DRAWN BY: MS.Salari 1/22/2023
 CHECKED BY: MR.Ghasemi 1/28/2023
 DESIGNED BY: MR.Zalpour 1/23/2023 SCALE: N / A

PURCHASE:

NOTE:

Drawing Not to Scale
 Unit: mm

REV.:0



ARAMAK SANAT HOOSHMAND

WWW.ARAMAKCO.COM

EMAIL: SAES@ARAMAKCO.COM

D

C

B

A