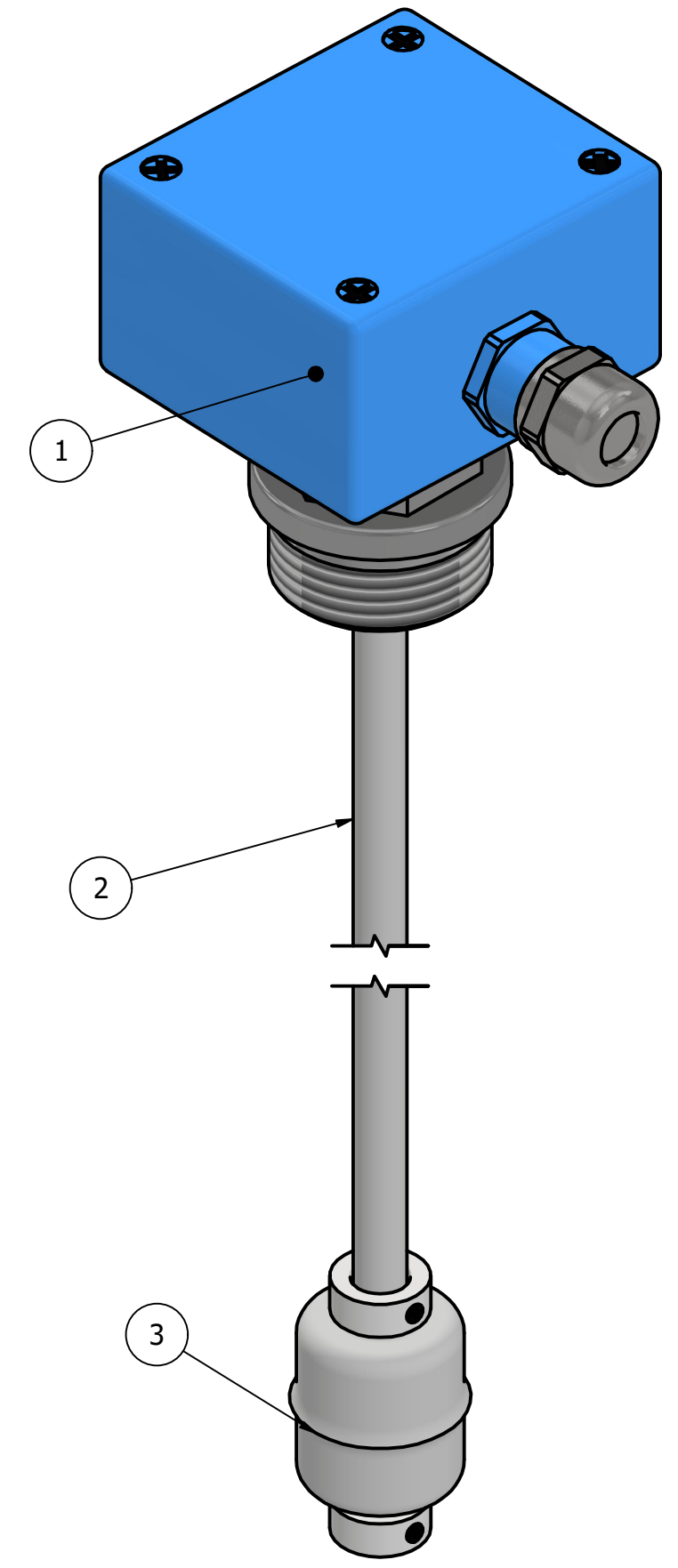
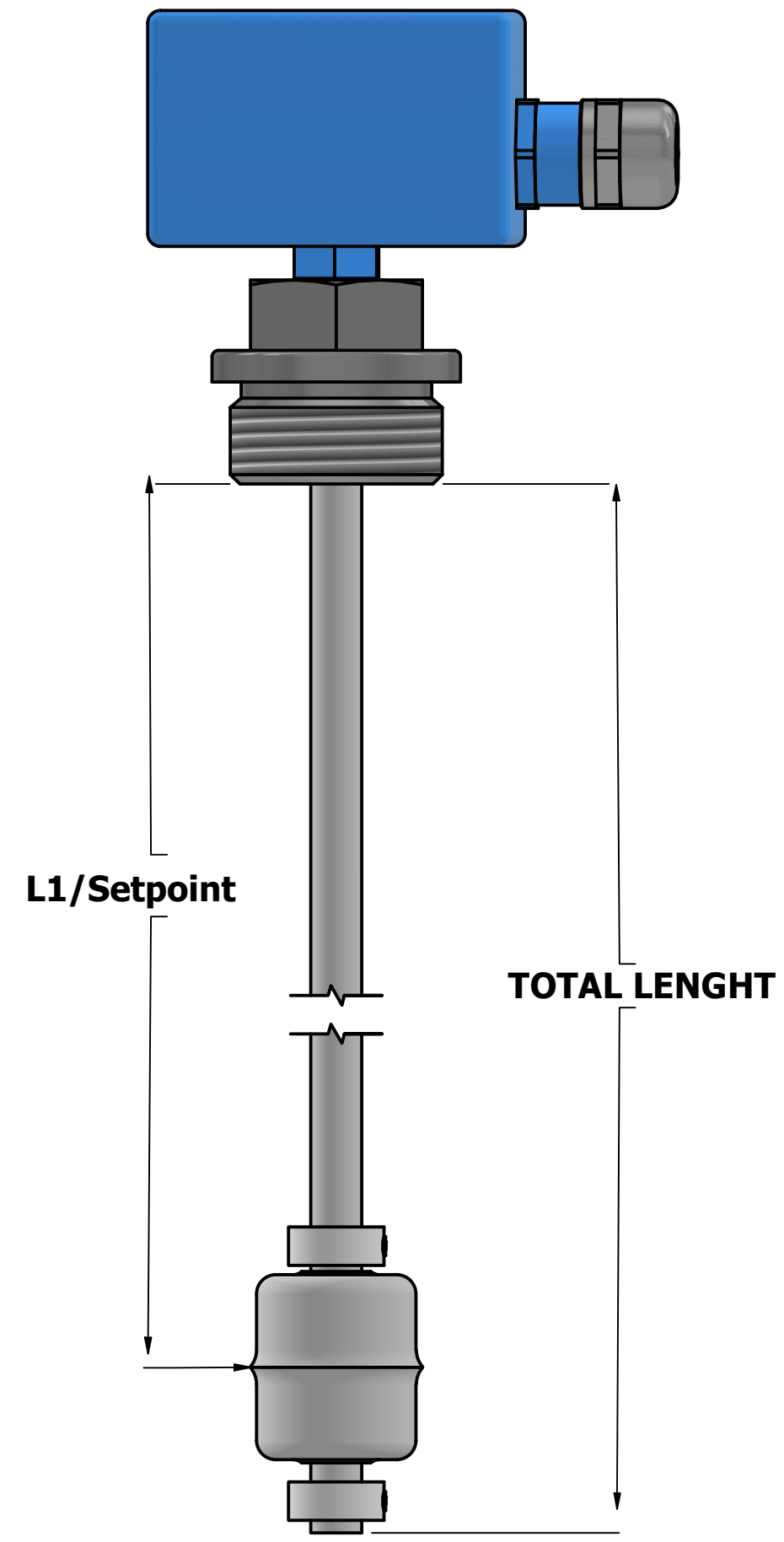
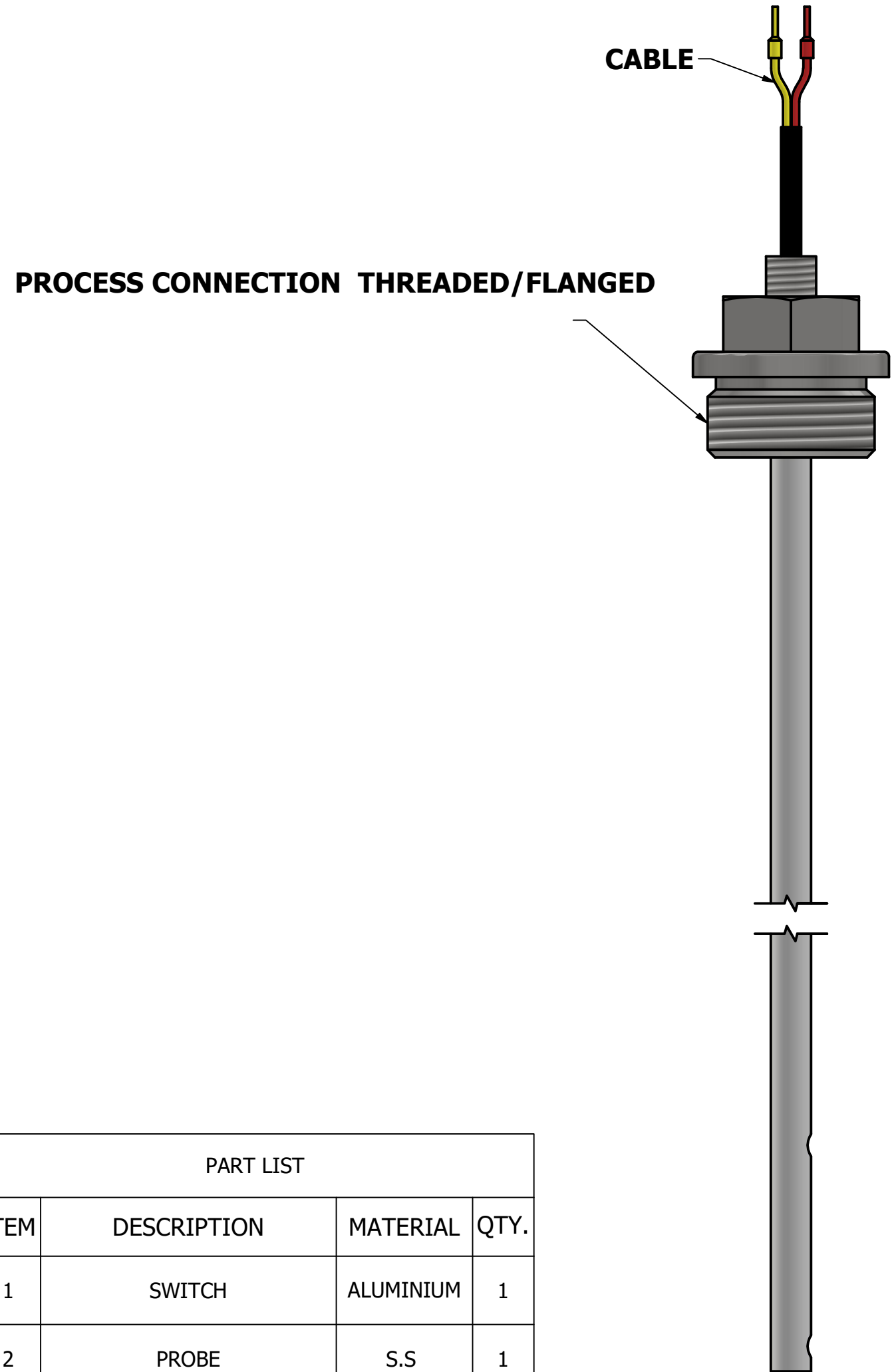


NO.	QTY.	TAG NO.	DESCRIPTION	MATERIAL	PROCESS CONNCTION	TOTAL LENGHT	CONNECTION RATING	ELECTRICAL CONNECTION	SWITCH
1	2		LEVEL SWITCH					Aluminum Box with Gland	1 SPDT, Reed switch, 1A @ 24VDC



PART LIST			
ITEM	DESCRIPTION	MATERIAL	QTY.
1	SWITCH	ALUMINIUM	1
2	PROBE	S.S	1
3	FLOATER	304 L	1

DESCRIPTION:
LEVEL SWITCH

DRAWN BY: **MR.Yadegary**
 CHEKED BY: **MR.Zarrineh**
 DESIGNED BY: **MR.zalpour**

2024/12/04
 2024/12/04
 2024/12/04

PURCHASE:
 NOTE:
 Drawing no t to scale
 Unit:mm



ARAMAK SANAT HOOSHMAND

Rev:00 WWW.ARAMAKCO.COM EMAIL: SALES@ARAMAKCO.COM