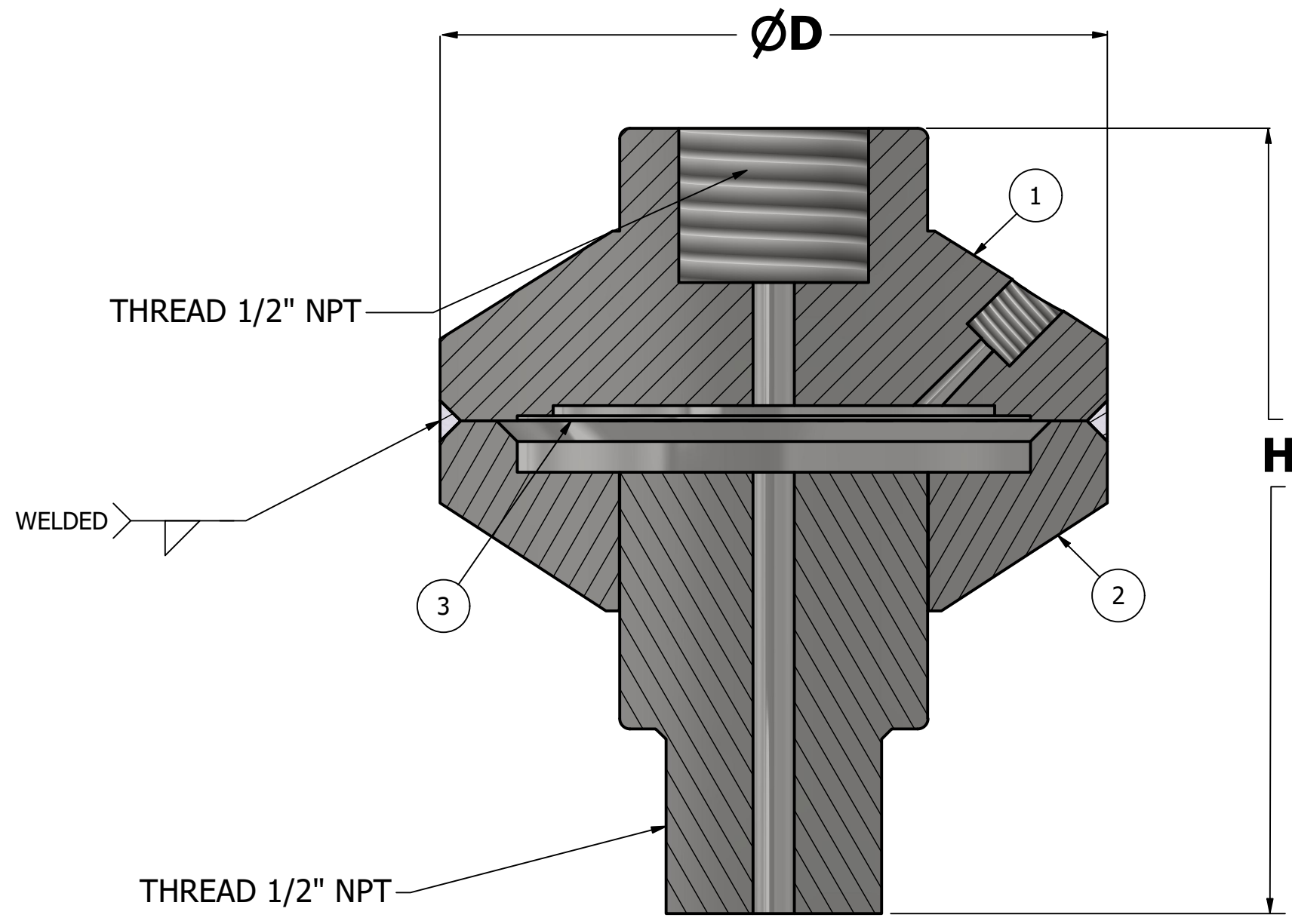
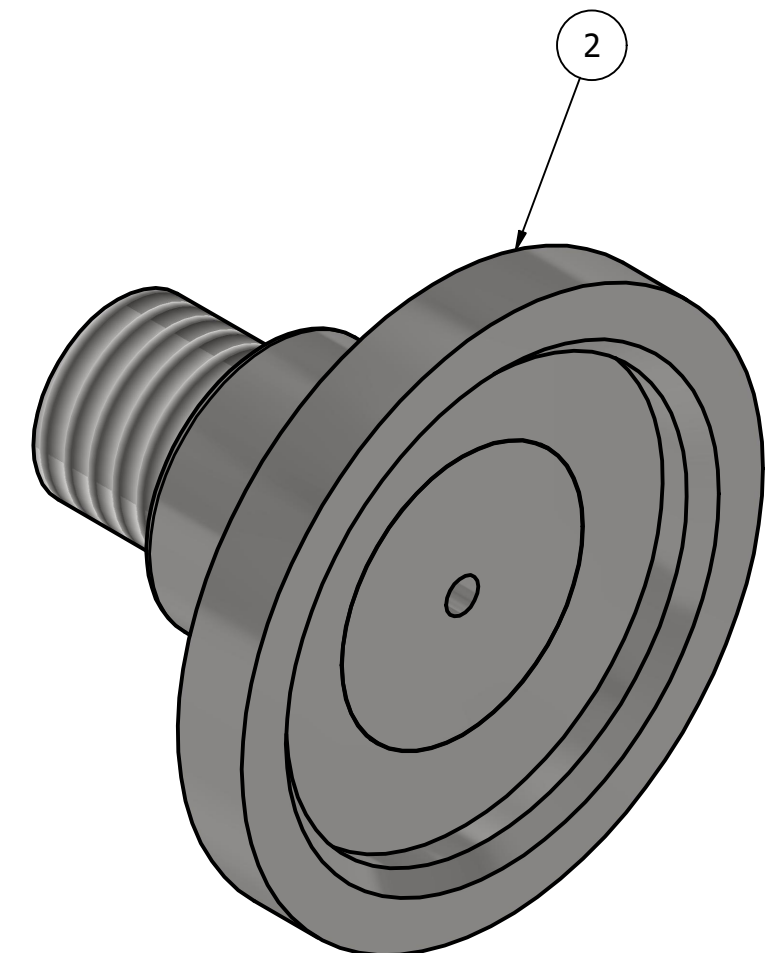
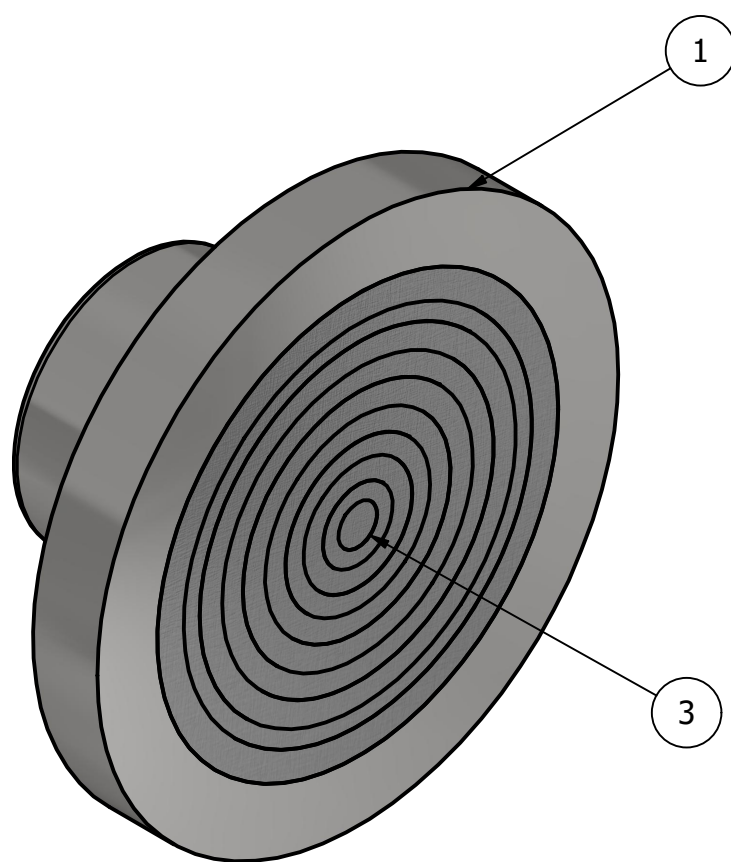
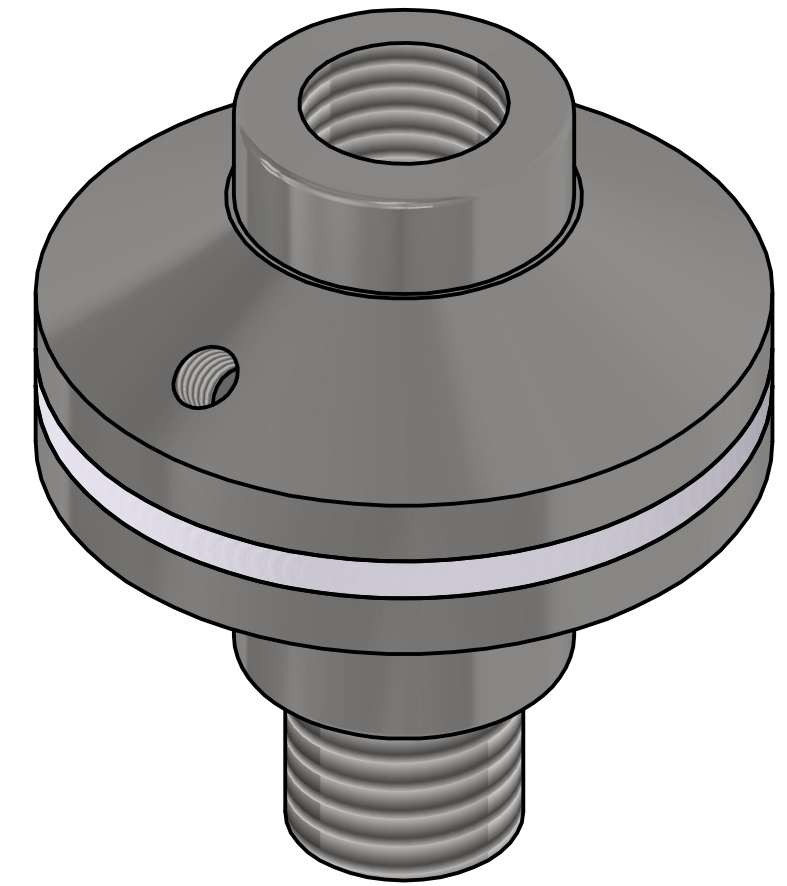


NO.	QTY.	TAG NO.	DESCRIPTION	MATERIAL	TYPE	H	D	PROCESS CONNECTION
1	1	XXX	DIAPHRAGM	INCONEL 625	THREAD	75mm	65	1/2 NPT



SECTION VIEW



PARTS LIST			
ITEM	QTY	PART NUMBER	MATERIAL
1	1	UPPER SIDE	S.S 316
2	1	LOWER SIDE	INCONEL 625
3	1	DIAPHRAGM	INCONEL 625

DESCRIPTION:  
**COCK VALVE**

DRAWN BY: **MR.Yadegary**  
 CHEKED BY: **MR.Zarrineh**  
 DESIGNED BY: **MR.zalpour**

2025/11/10  
 2025/11/10  
 2025/11/10

PURCHASE:

NOTE:  
 Drawing no t to scale  
 Unit:mm

Rev:00

WWW.ARAMAKCO.COM

  
**ARAMAK SANAT HOOSHMAND**

EMAIL: SALES@ARAMAKCO.COM