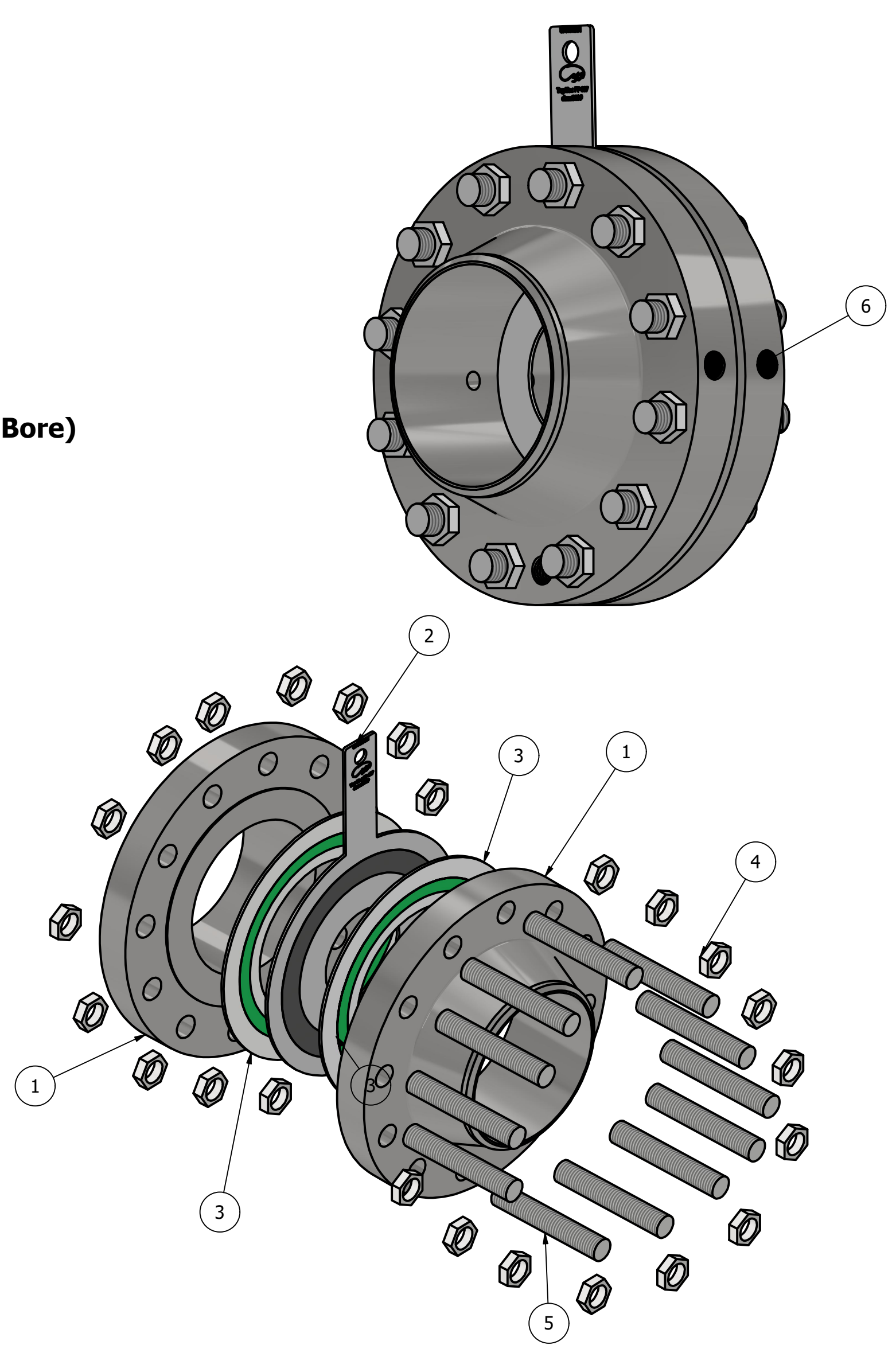
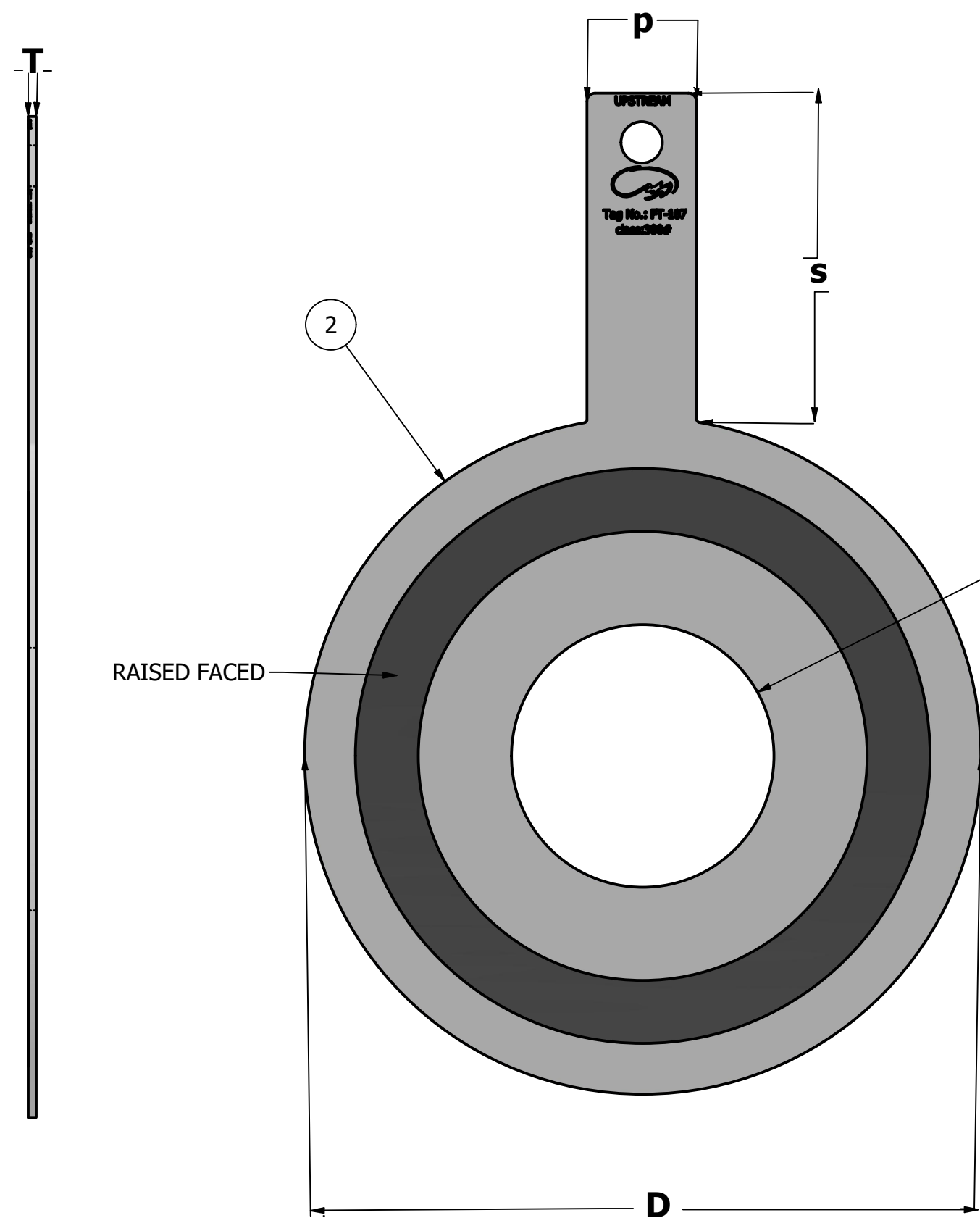


NO.	QTY.	TAG NO.	DESCRIPTION	MATERIAL	DESIGN	Rating	Flanged Material	D	d(Bore)	S	P	T
1			Orifice Flow Metert		RF Orifice plate					120 mm	40 mm	



TOLERANCE TABLE	
D DIM.	± 1 mm
d DIM.	±0.2%
T DIM	±0.4 mm

PART LIST			
ITEM	DESCRIPTION	MATERIAL	QTY.
1	Flange Size & Rating		2
2	Orifice Size		1
3	Gasket	316 L	2
4	NUT	C.S	
5	BOLT	C.S	
6	TAP		2

DESCRIPTION: **Orifice Plate**

DRAWN BY: **MR.Yadegary**
 CHEKED BY: **MR.Zarrineh**
 DESIGNED BY: **MR.zalpour**

2024/11/03
 2024/11/03
 2024/11/03

PURCHASE:
 NOTE:
 Drawing no t to scale
 Unit:mm



ARAMAK SANAT HOOSHMAND
 Rev:00 WWW.ARAMAKCO.COM EMAIL: SALES@ARAMAKCO.COM