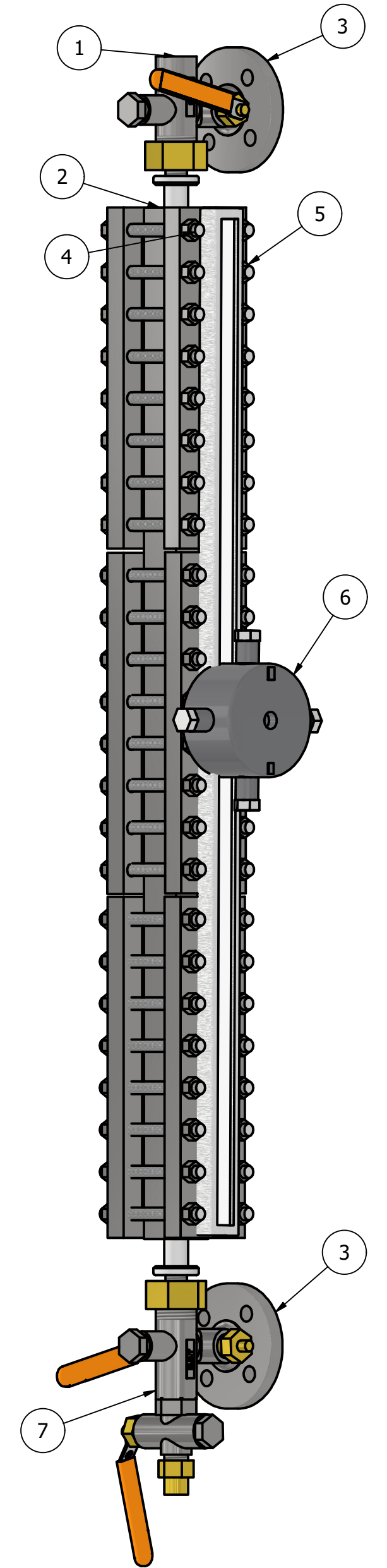
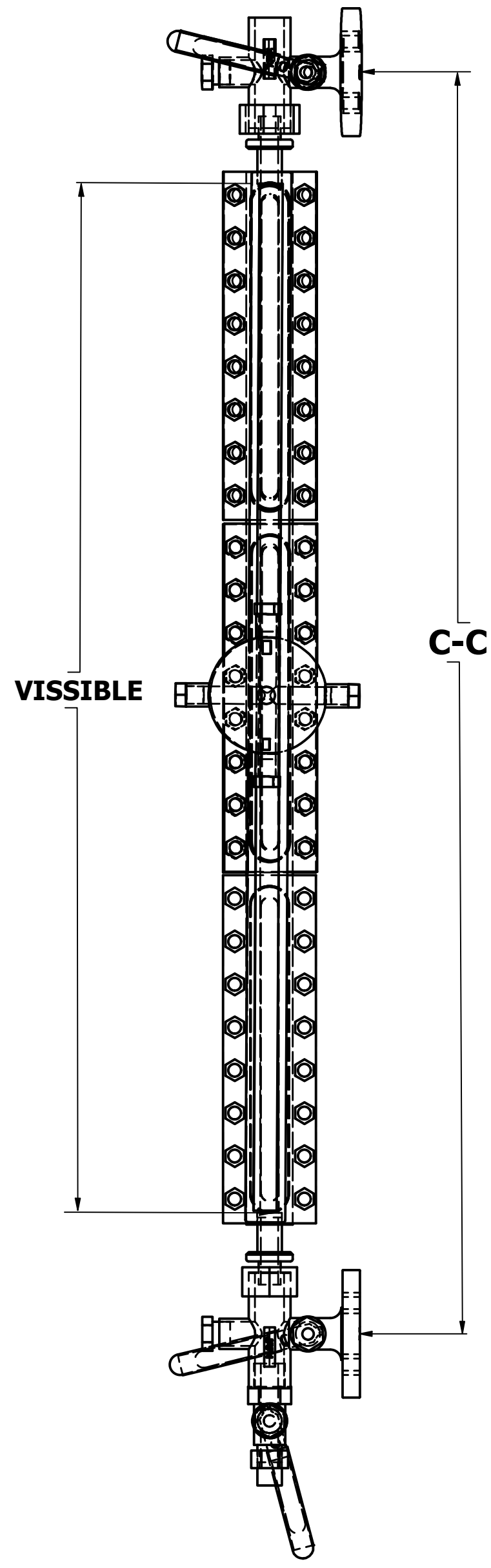
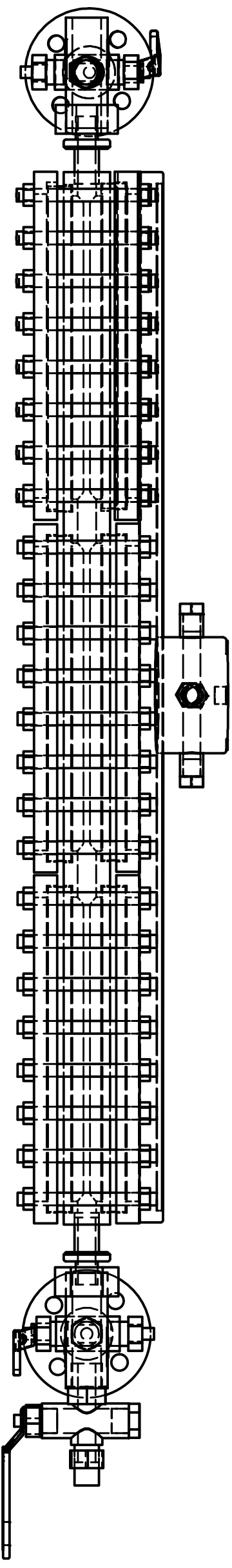
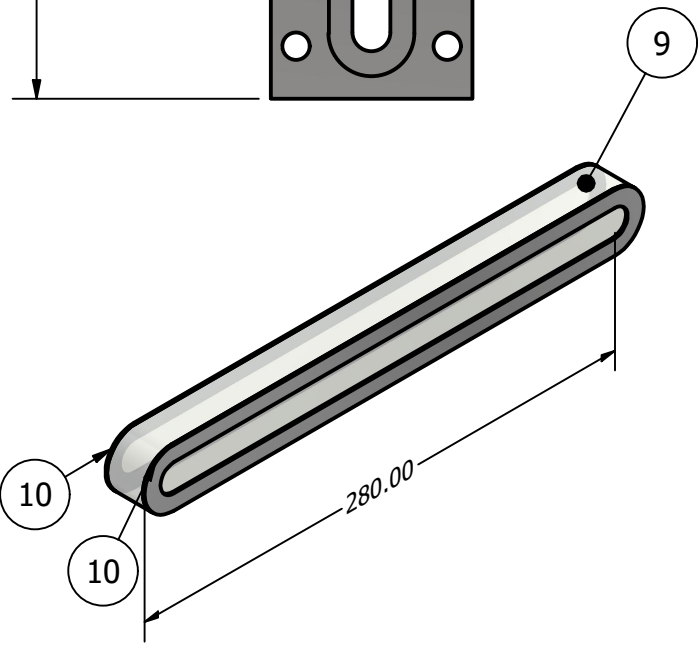
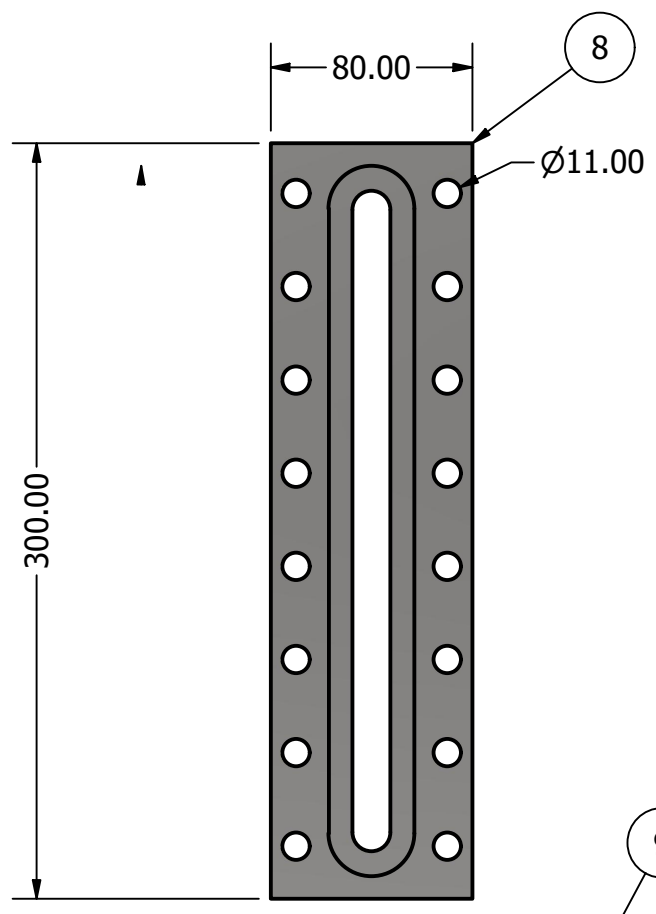


NO.	QTY.	TAG	DESCRIPTION	MATERIAL	MOUNTING	C-C	VISSIBLE	PROCESS CONNECTION	CHAMBER END TOP	CHAMBER END BOTTOM	CERTIFICATION
1	X	LG- XXXX	LEVEL GAUGE	C.S	SIDE-SIDE	XXXX mm	XXXmm	FLANGE X" RF #XXX	VENT VALVE WITH PLUG	DRAIN VALVE	NACE MR0175



PART LIST

ITEM	DESCRIPTION	MATERIAL	QTY.
1	VENT VALVE	C.S	1
2	MAIN PIPE	CK45	1
3	FLANGE 2" #600	C.S A105	2
4	BOLT	A193-194	48
5	NUT	A193-194	96
6	ILLUMINATOR LED 220 VAC/24 VDC	ALUMINIUM	1
7	DRAIN VALVE	C.S	1
8	COVER 300mm	C.S	6
9	GLASS 280mm	BOROSILICUT	6
10	GASKET	KLINGRIT	12

DESCRIPTION:
LEVEL GUAGE

DRAWN BY: **MR.Yadegary**
 CHEKED BY: **MR.Zarrineh**
 DESIGNED BY: **MR.zalpour**

2025/01/30
 2025/01/30
 2025/01/30

PURCHASE:

NOTE:
 Drawing no t to scale
 Unit:mm


ARAMAK SANAT HOOSHMAND