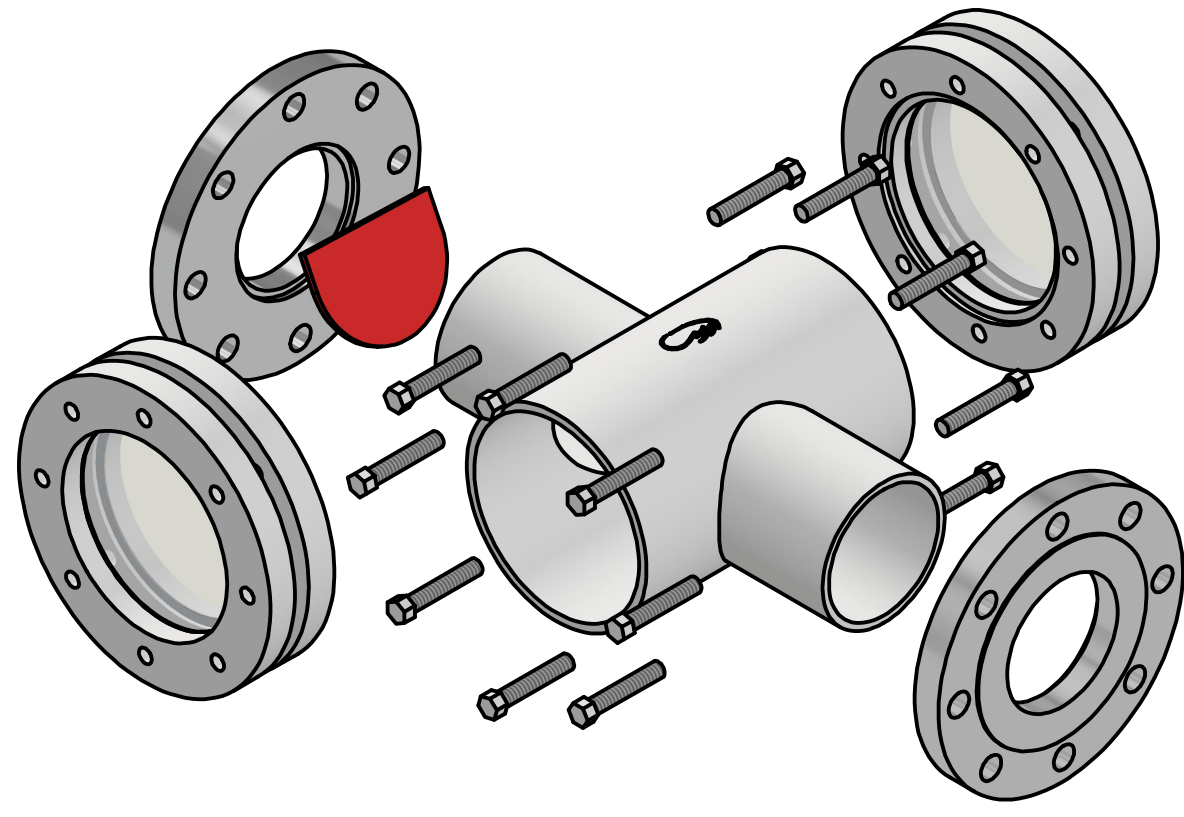
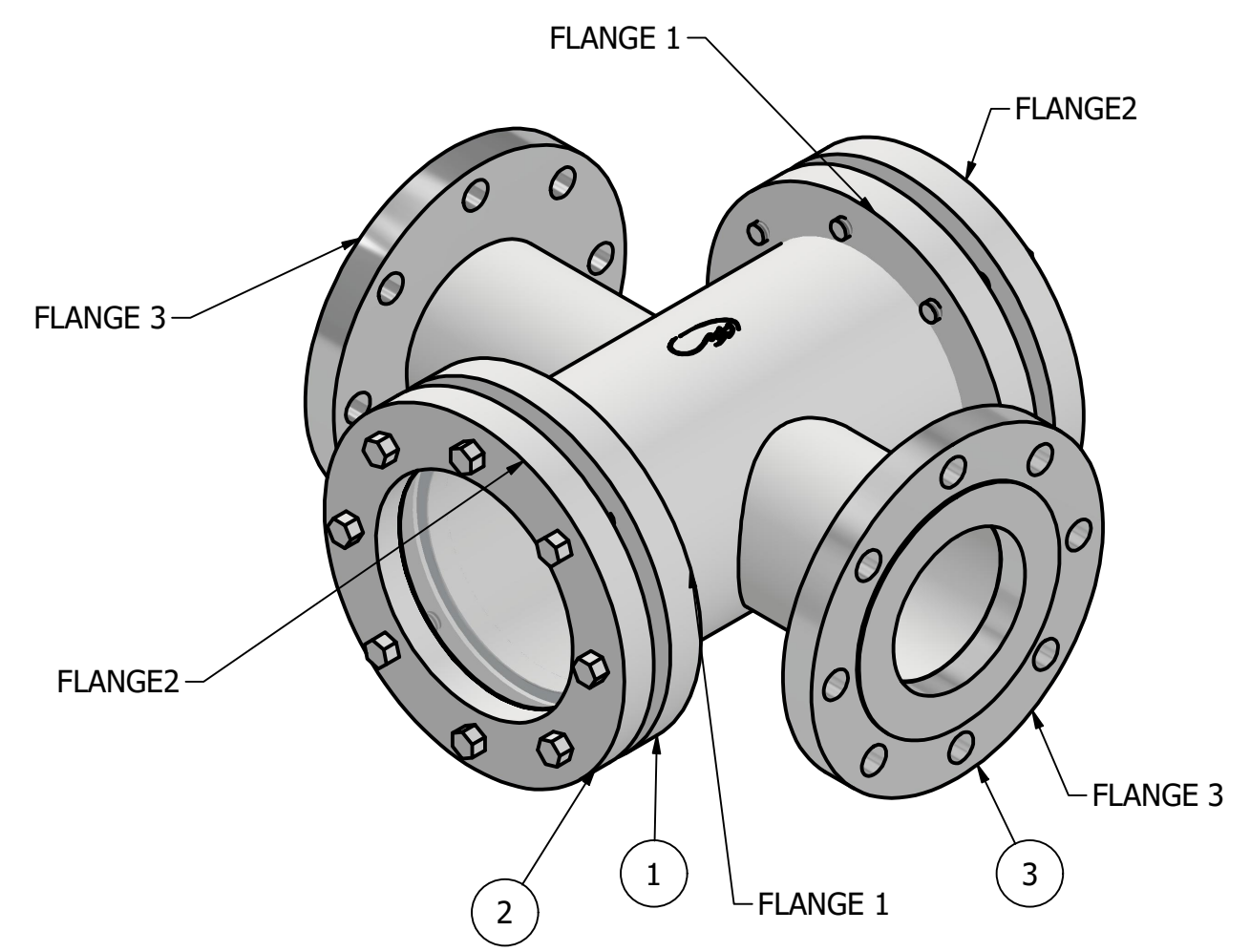
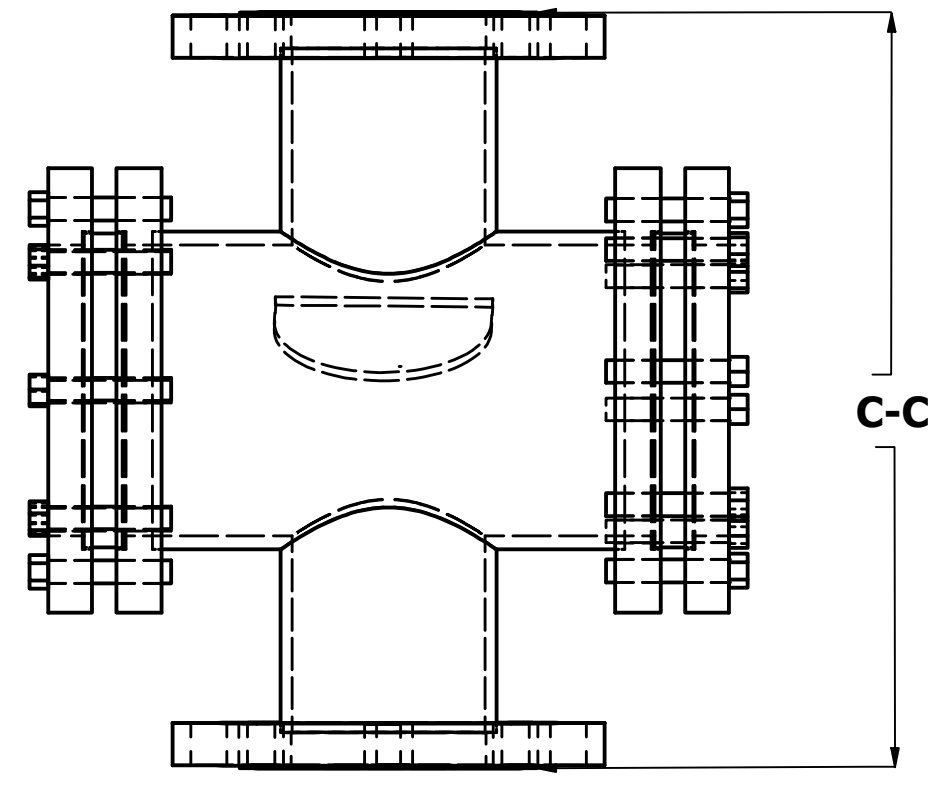


NO.	QTY.	DESCRIPTION	CONNECTION	CLASS	C-C	MATERIAL
1	1	FLOW INDICATOR				



M.T.O			
NUMBER	DESCRIPTION	MATERIAL	Q.T.Y
1	FLANGE ARAMAK	316 L	2
2	FLANGE ARAMAK	316 L	2
3	FLANGE XX" XXX#	316 L	2
4	GLASS	Borosilicate	2
5	GASKET	Silicon	4

DESCRIPTION: **FLOW INDICATOR**

DRAWN BY: **MR.Yadegary** 2024/12/16  
 CHEKED BY: **MR.Zarrineh** 2024/12/16  
 DESIGNED BY: **MR.zalpour** 2024/12/16

PURCHASE:

NOTE:  
 Drawing no t to scale  
 Unit:mm

**ARAMAK SANAT HOOSHMAND**

WWW.ARAMAKCO.COM EMAIL: SALES@ARAMAKCO.COM