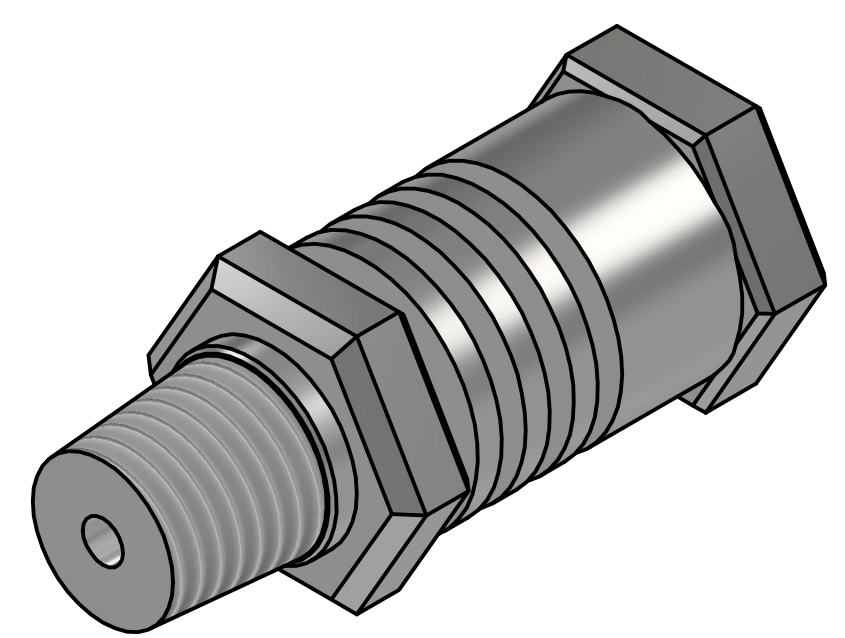
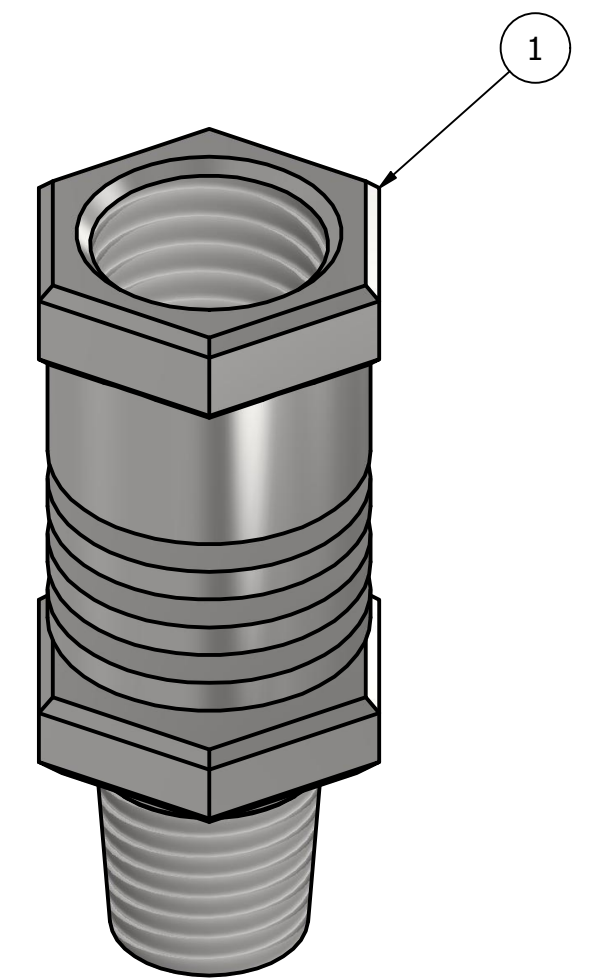
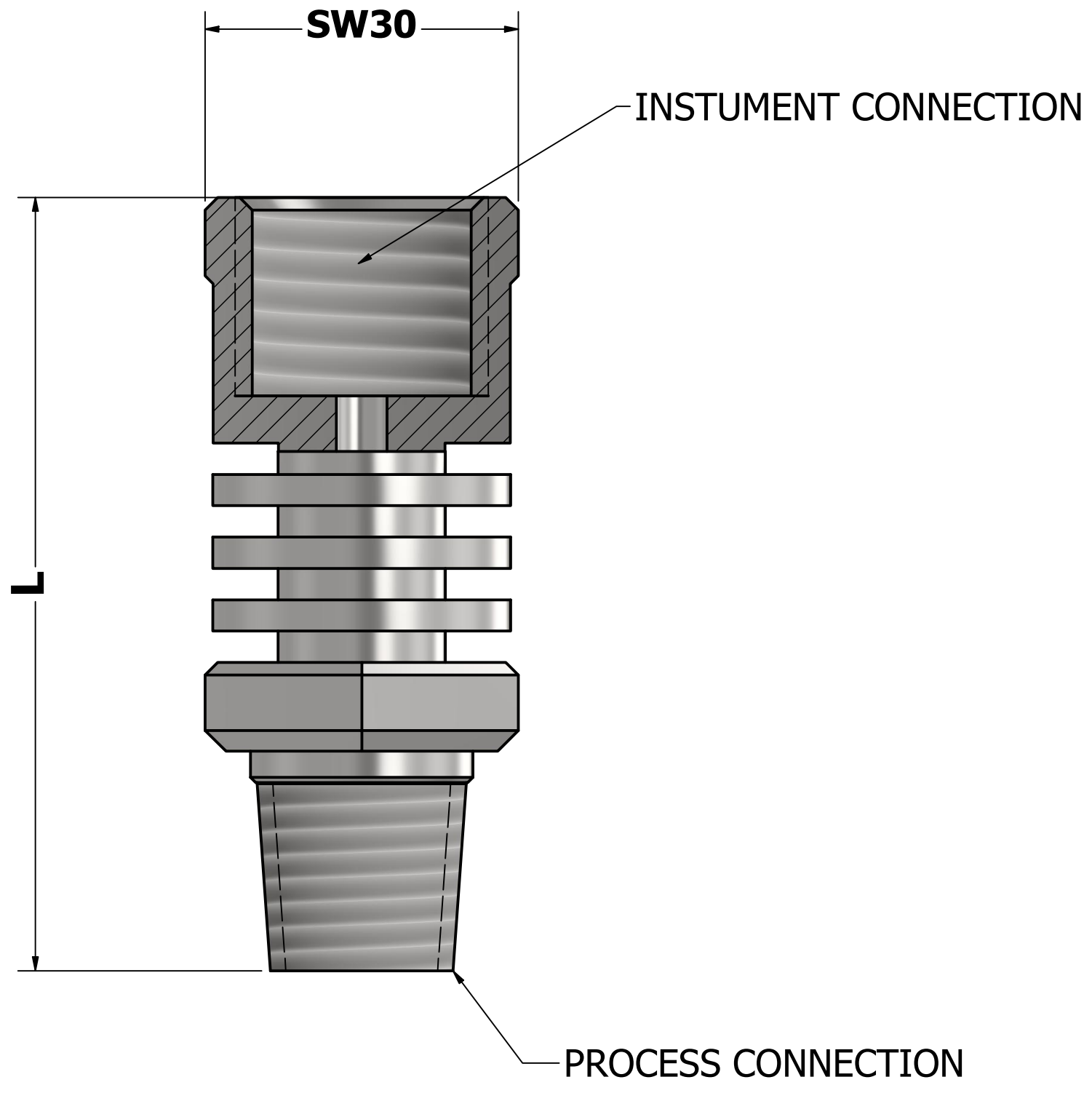


NO.	QTY.	TAG	DESCRIPTION	MATERIAL	SIZE	RANGE	INSTRUMENT CONNECTION	PROCESS CONNECTION	L
1	100	XXXXX	Cooling Element	S.S 316L	1/2" NPT	0-250 C	1/2"	1/2" NPTM	74mm



PART LIST			
ITEM	DESCRIPTION	MATERIAL	QTY.
1	COOLING ELEMENT	S.S 316L	1

TOLERANCE TABLE	
L	± 1 mm

DESCRIPTION:
Orifice Plate

DRAWN BY: **MR.Yadegary**
 CHEKED BY: **MR.Zarrineh**
 DESIGNED BY: **MR.zalpour**

PURCHASE:
KOLORAN

NOTE:
Drawing is not to scale
Unit:mm

ARAMAK SANAT HOOSHMAND