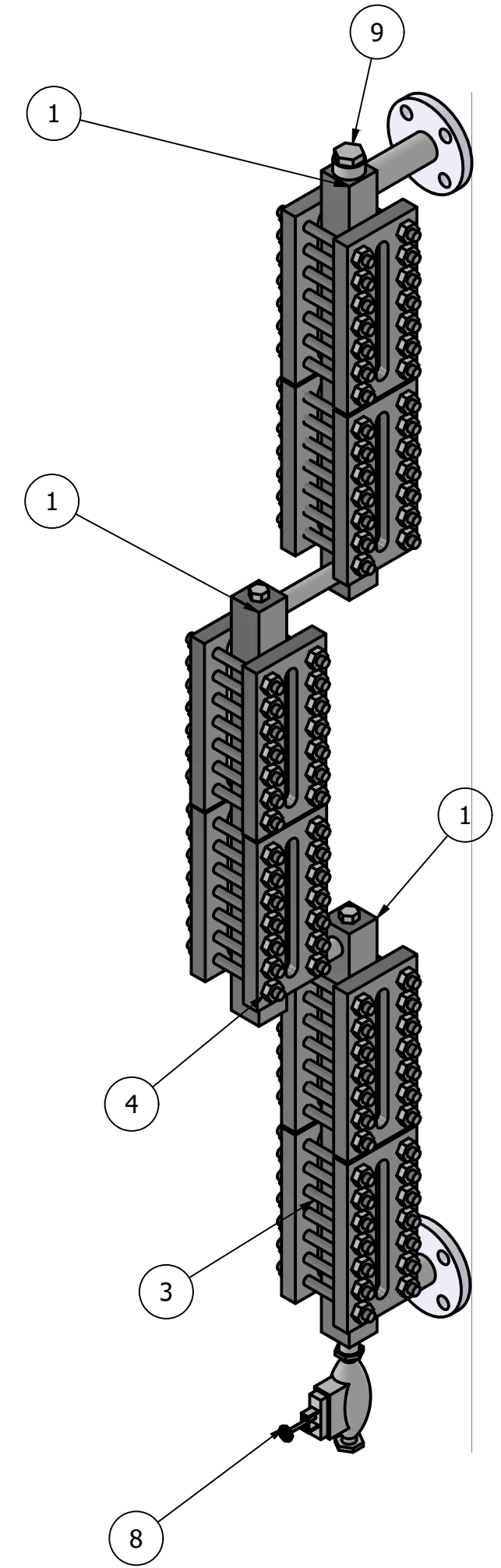
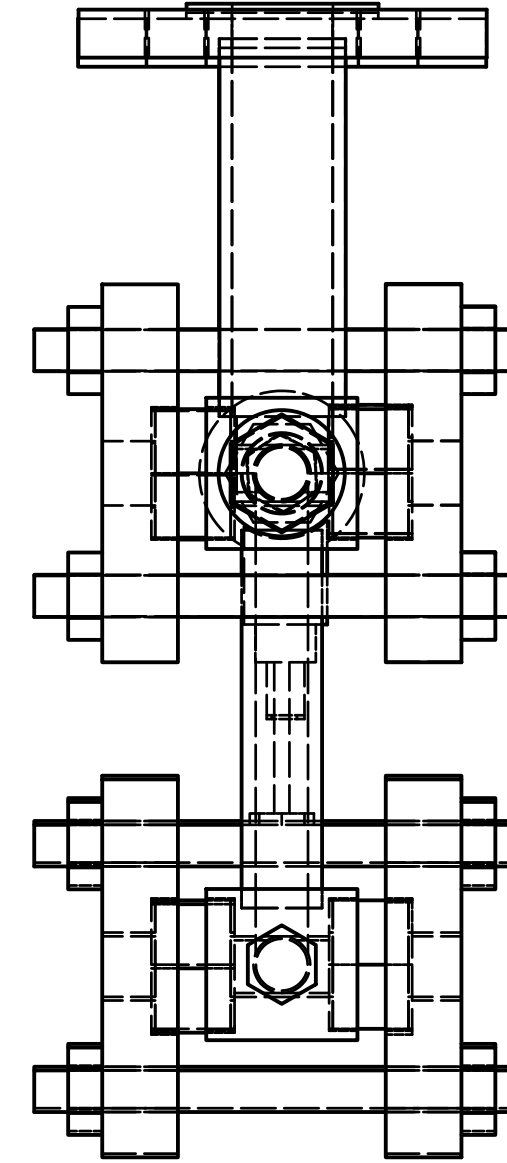
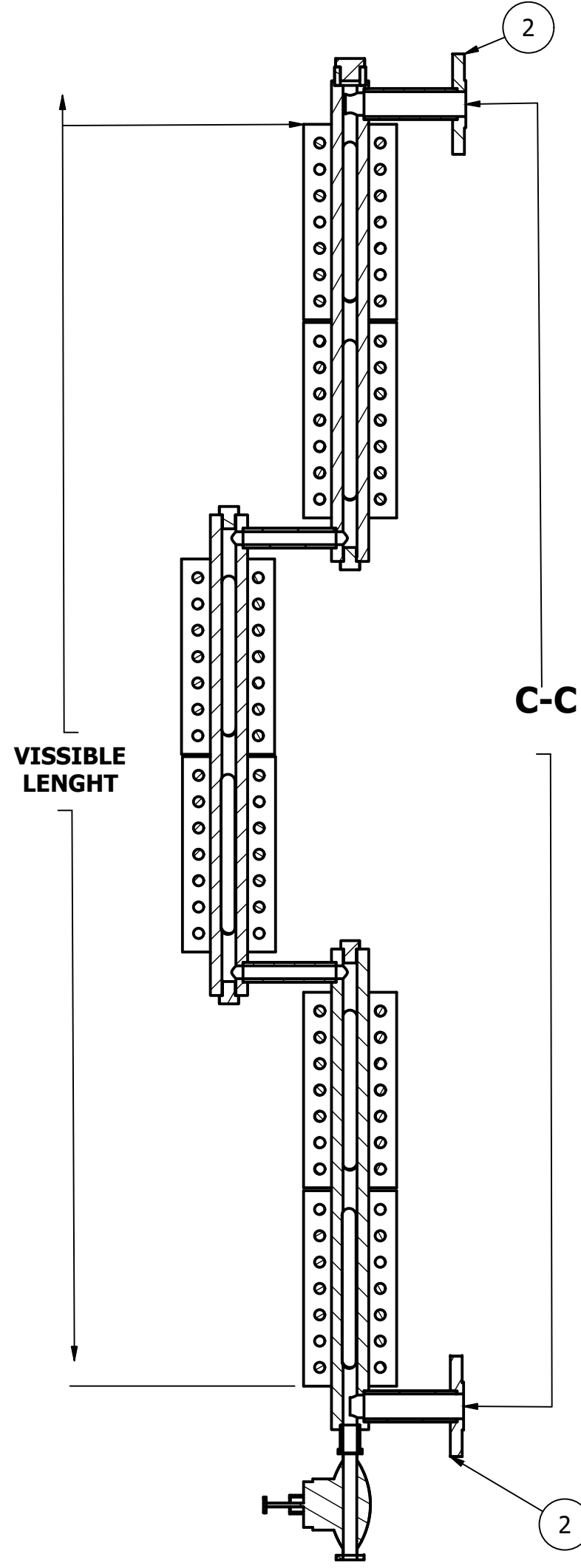
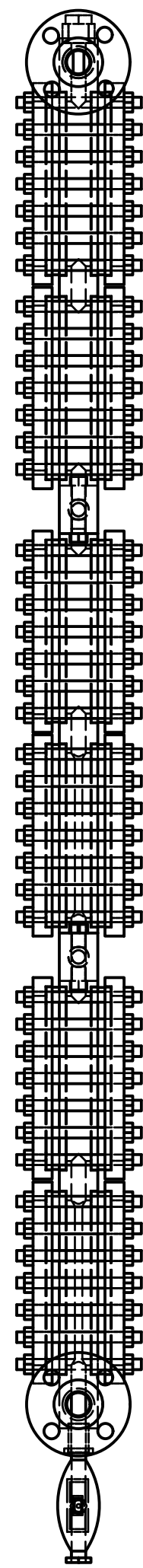
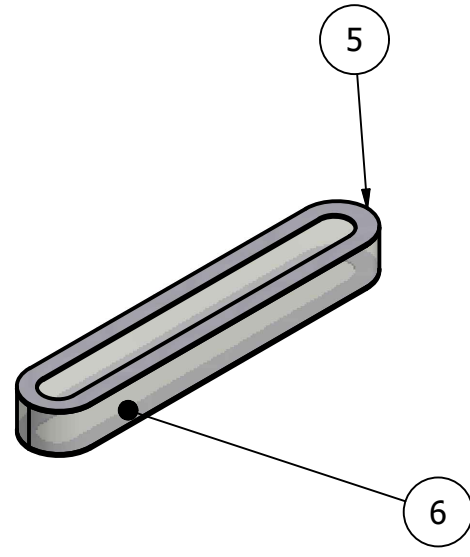
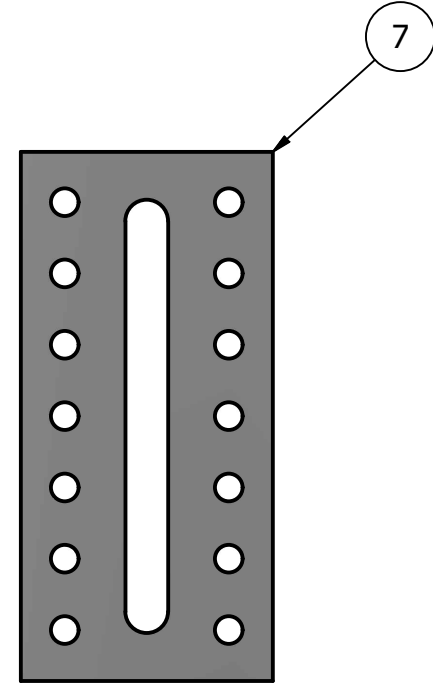


NO.	QTY.	TAG NO.	DESCRIPTION	MATERIAL	MOUNTING	DESIGN	C-C	VISSIBLE LENGHT	PROCESS CONNECTION	Connection Rating	CHAMBER END TOP	CHAMBER END BOTTOM
1			SIGHT GLASS LEVEL GAUGE	C.S	SIDE-SIDE	ECONOMIC					Flat with 1/2" vent Plug	Drain valve 1/2"



PART LIST			
ITEM	DESCRIPTION	MATERIAL	QTY.
1	STAND PIPE	C.S	3
2	FLANGE 1" RF	A 105	2
3	BOLT	C.S	84
4	NUT	C.S	168
5	GASKET	KLINGERIT	24
6	GLASS 190 mm	BOROSILICATE	12
7	COVER 210 mm	C.S	12
8	DRAIN VALVE 1/2"	C.S	1
9	PLUG 1/2"	C.S	1

DESCRIPTION:

SIGHT GLASS LEVEL GAUGE

DRAWN BY: **MR.Yadegary**
 CHEKED BY: **MR.Zarrineh**
 DESIGNED BY: **MR.zalpour**

2024/11/03
 2024/11/03
 2024/11/03

PURCHASE:

N.E.A

NOTE:
 Drawing no t to scale
 Unit:mm



ARAMAK SANAT HOOSHMAND

Rev:00

WWW.ARAMAKCO.COM

EMAIL: SAES@ARAMAKCO.COM