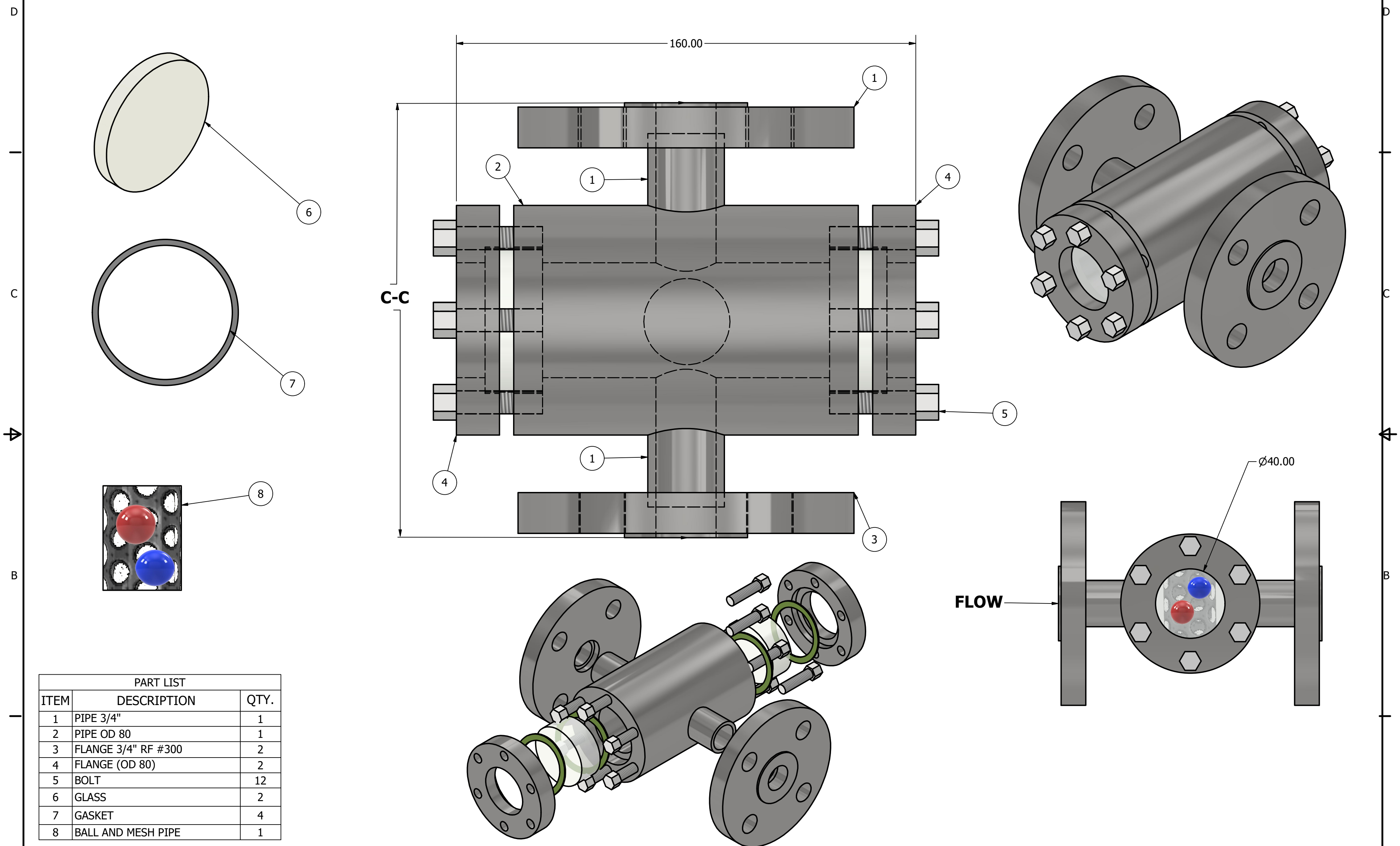


NO.	QTY.	TAG NO.	DESCRIPTION	MATERIAL	TYPE	C-C	VISISBLE LENGHT	Glass Material	Gasket Material	PROCESS CONNECTION
1	2	10SG-7301, 10SG-	SIGHT GLASS FLOW INDICATOR	A 350 LF2	BALL DOUBLE VIEW	150 mm	40 mm	Borosilicate	Silicon	FLANGE 3/4" RF #300



PART LIST		
ITEM	DESCRIPTION	QTY.
1	PIPE 3/4"	1
2	PIPE OD 80	1
3	FLANGE 3/4" RF #300	2
4	FLANGE (OD 80)	2
5	BOLT	12
6	GLASS	2
7	GASKET	4
8	BALL AND MESH PIPE	1


DESCRIPTION: **Sight Glass Flow Indicator**

DRAWN BY: **MR.Yadegary**
 CHEKED BY: **MR.Zarrineh**
 DESIGNED BY: **MR.zalpour**

2025/06/26
 2025/06/26
 2025/06/26

PURCHASE:
K.H

NOTE:
 Drawing no t to scale
 Unit:mm



ARAMAK SANAT HOOSHMAND

Rev:00 WWW.ARAMAKCO.COM EMAIL: SALES@ARAMAKCO.COM