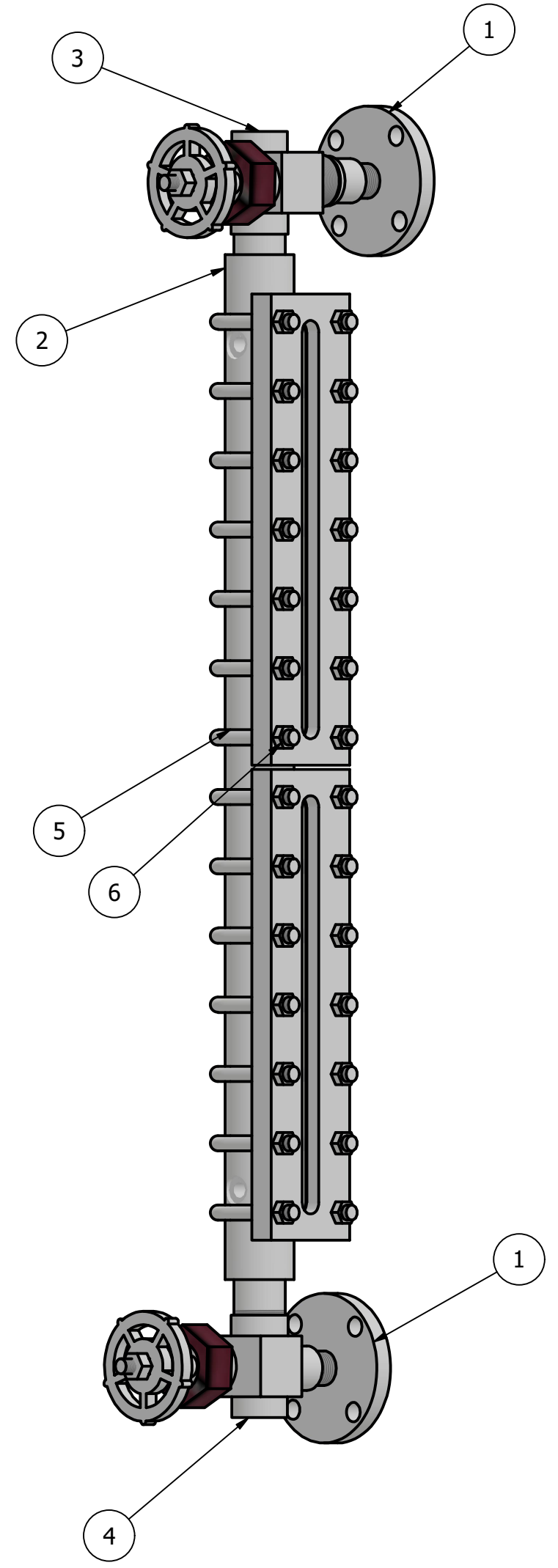
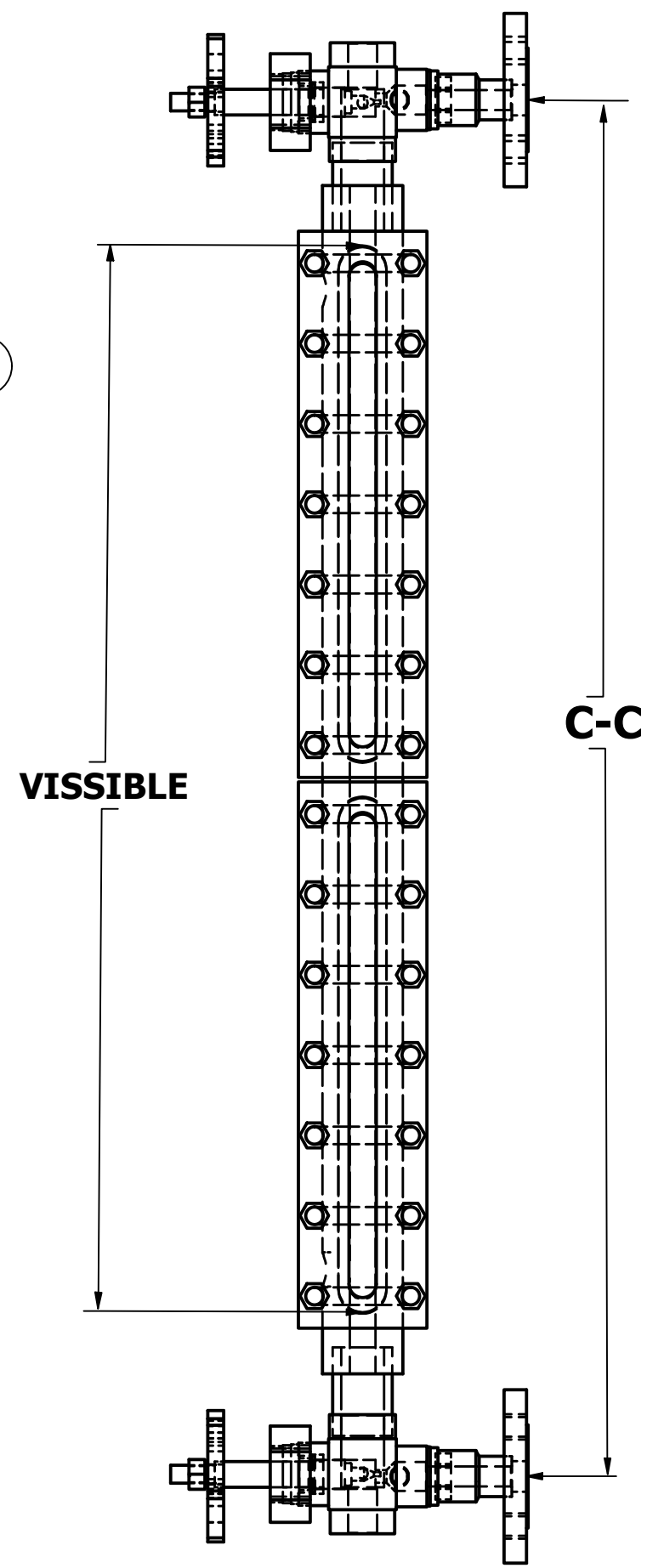
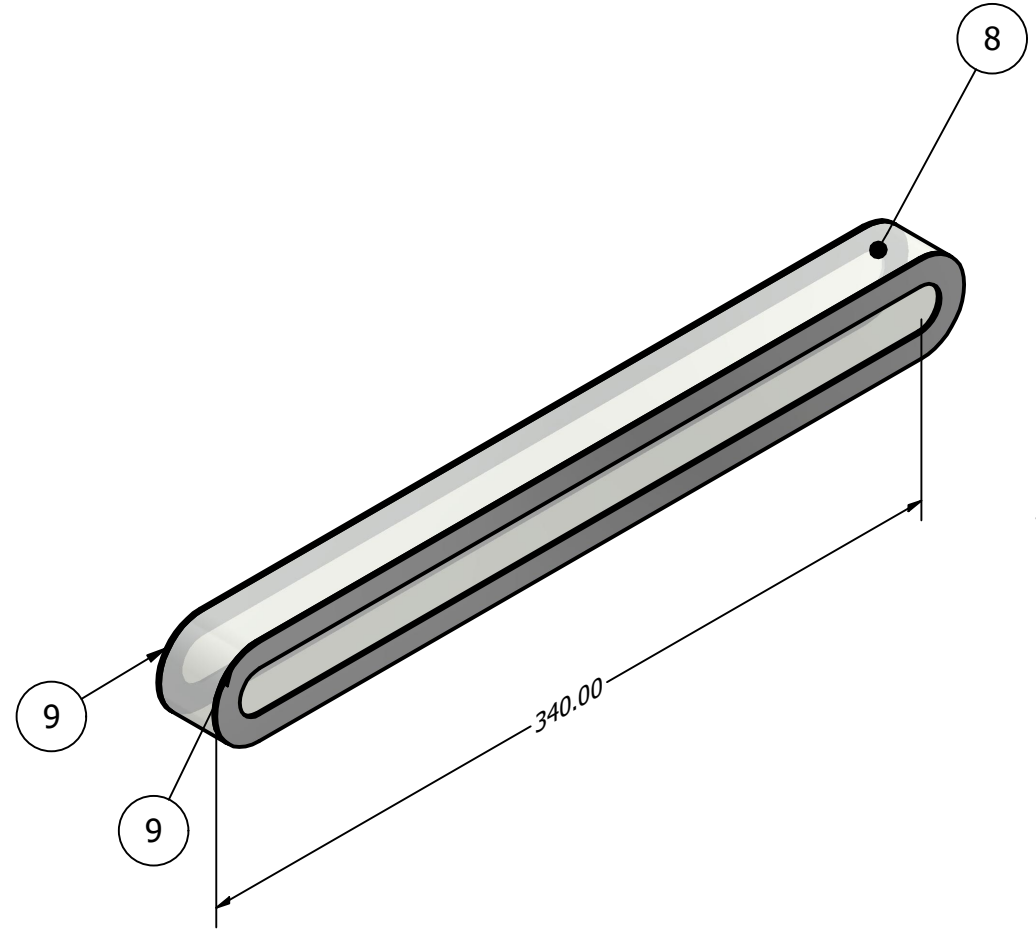
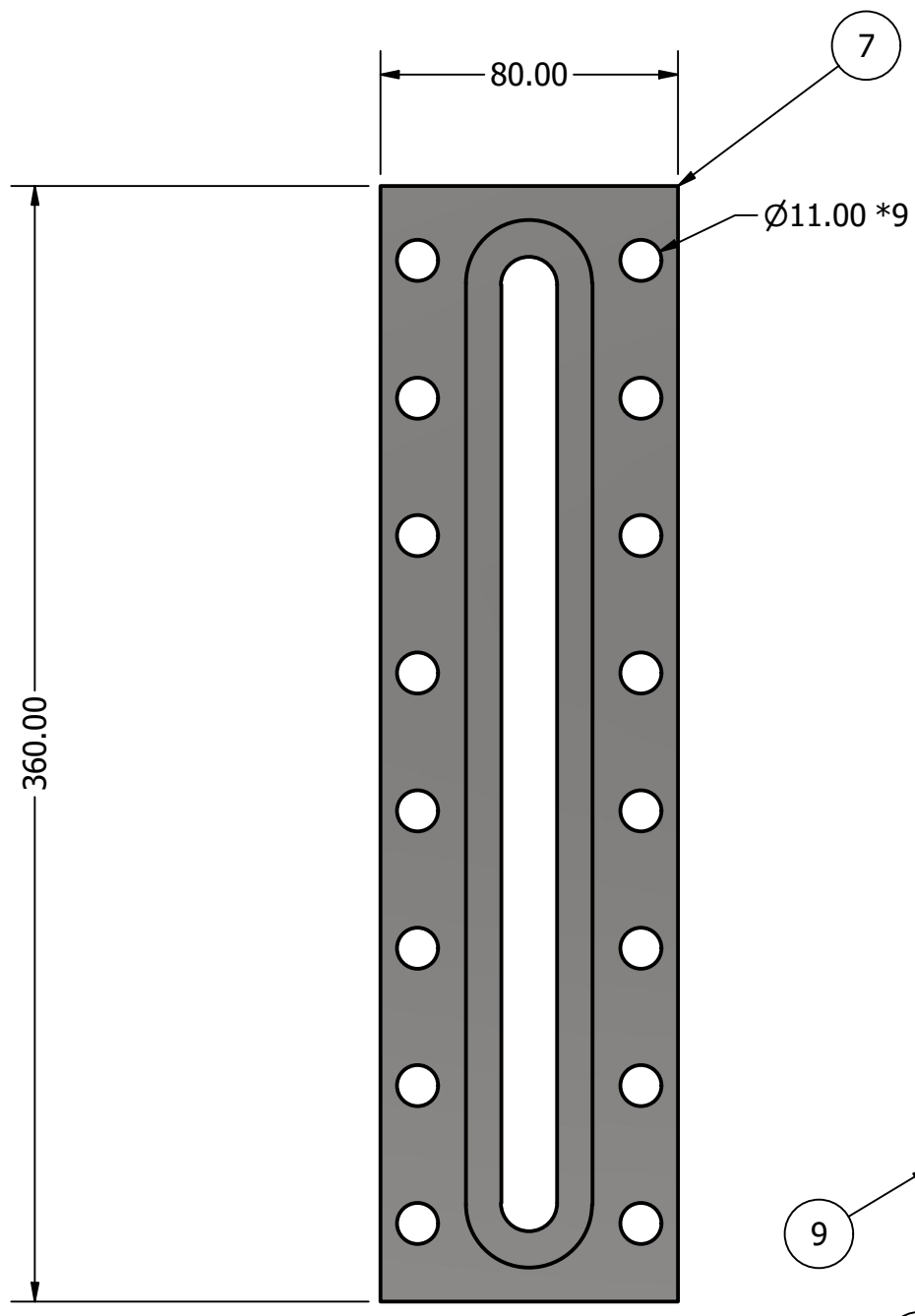


NO.	QTY.	TAG	DESCRIPTION	MATERIAL	MOUNTING	C-C	VISSIBLE	PROCESS CONNECTION	CHAMBER END TOP	CHAMBER END BOTTOM	CERTIFICATION
1	X	LG- XXXX	LEVEL GAUGE	S.S 316	SIDE-SIDE	XXX mm	XXX mm	FLANGE X" RF #XXX	VENT VALVE	DRAIN VALVE	NACE MR0175



PART LIST

ITEM	DESCRIPTION	MATERIAL	QTY.
1	FLANGE X" #XXX	S.S 316	1
2	MAIN PIPE	S.S 316	1
3	VENT VALVE	S.S 316	2
4	DRAIN VALVE	S.S 316	1
5	U BOLT	S.S 316	18
6	NUT	S.S 316	36
7	COVER	S.S 316	1
8	GLASS	BOROSILICUT	2
9	GASKET	KLINGRIT	2

DESCRIPTION: **LEVEL GUAGE**

DRAWN BY: **MR.Yadegary**
 CHEKED BY: **MR.Zarrineh**
 DESIGNED BY: **MR.zalpour**

2025/01/30
 2025/01/30
 2025/01/30

PURCHASE: _____

NOTE:
 Drawing no t to scale
 Unit:mm

Rev:00

