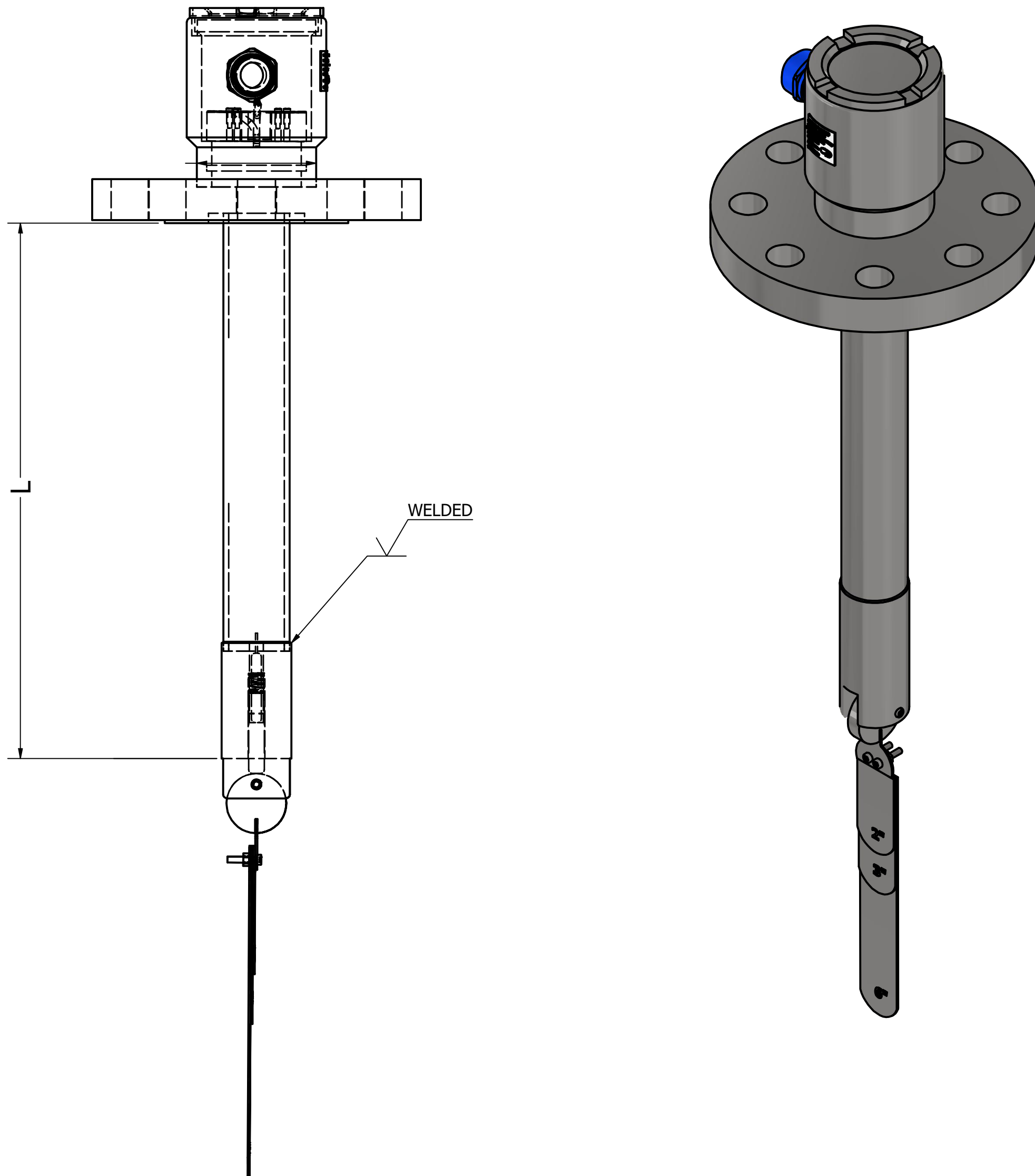


NO.	QTY.	TAG NO.	DESCRIPTION	MATERIAL	MODEL	PROCESS CONN..	NUZZLE LENGHT (L)	Electrical Connection	H	T	SWITCH
			Flow Switch	S.S 316L	Paddle Type			Aluminum Box with Gland (M20*1.5)			1 SPDT, Reed Switch, 1A @ 24VDC



PART LIST			
ITEM	DESCRIPTION	MATERIAL	QTY.
1	ALUMINIUM BOX EX d WITH GLAND	ALUMINIUM	1
2	FLANGE	S.S 316L	1
3	PIPE 1"	S.S 316L	1
4	PADDLE	S.S 316 L	1
5	SHAFT OD 35	S.S 316 L	1
6	CIRCLE OD 30	S.S 316 L	1

TOLERANCE TABLE	
T DIM.	± 0.1 mm
H DIM.	± 2 mm
L DIM	+ 1 mm

DESCRIPTION:

Flow Switch

DRAWN BY: **MR.Yadegary**
 CHEKED BY: **MR.Zarrineh**
 DESIGNED BY: **MR.zalpour**

2026/05/17
 2026/05/17
 2026/05/17

PURCHASE:

M.S.E

NOTE:
 Drawing no t to scale
 Unit:mm

ARAMAK SANAT HOOSHMAND

Rev:00

WWW.ARAMAKCO.COM

EMAIL: SALES@ARAMAKCO.COM