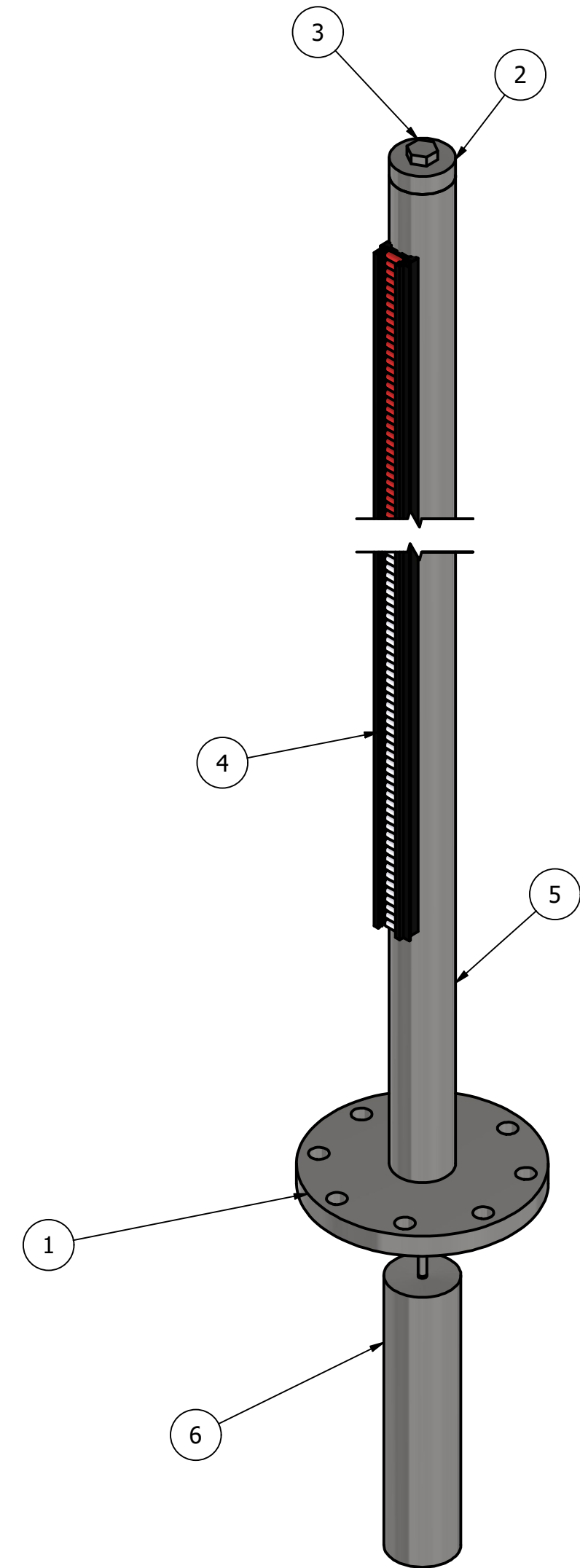
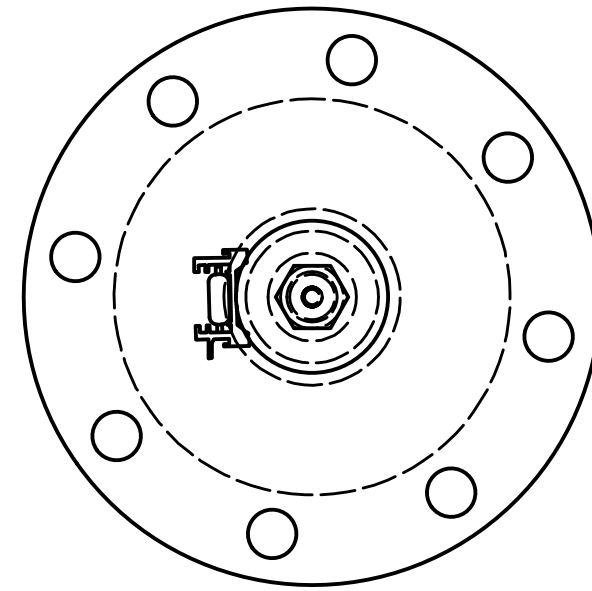
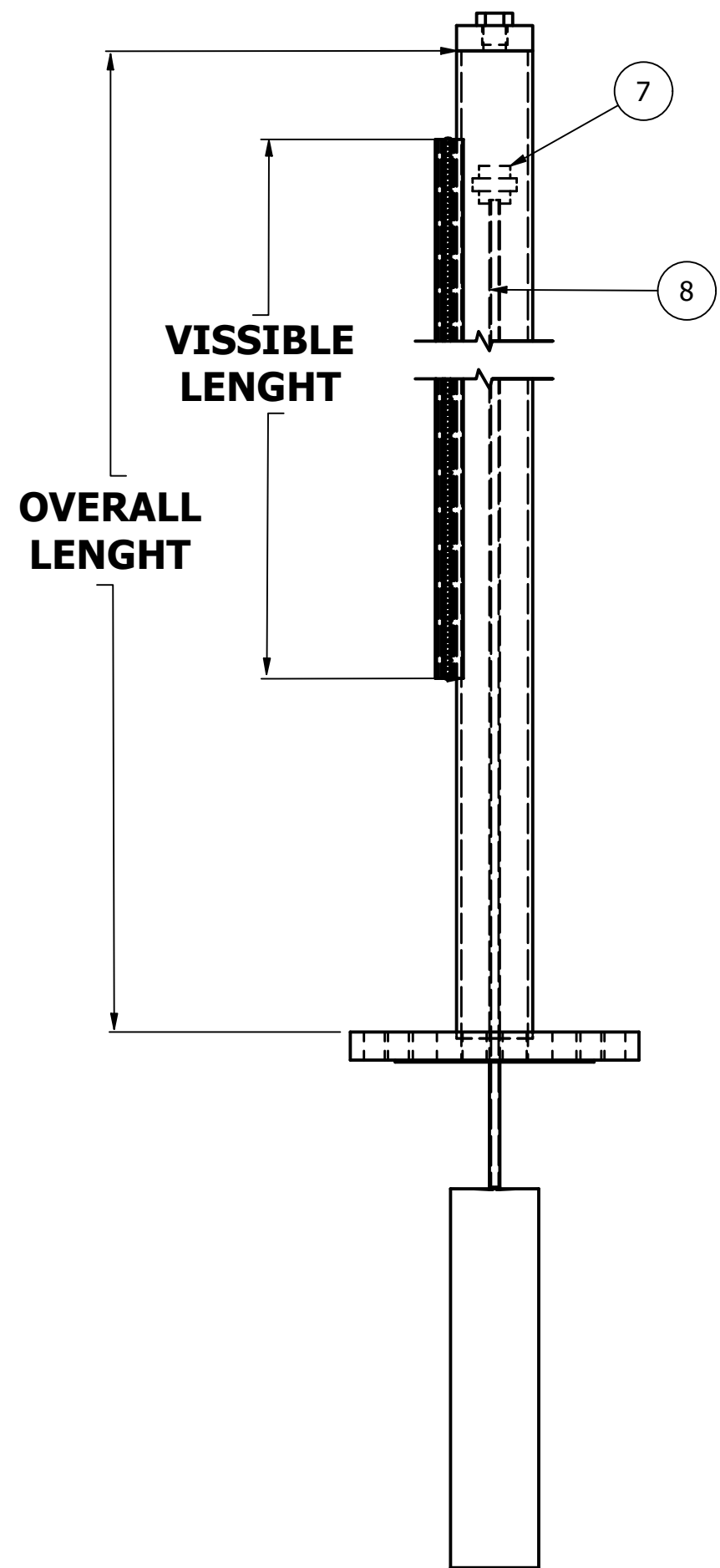


NO.	QTY.	DESCRIPTION	MATERIAL	MOUNTING	OVERALL LENGHT	VISSIBLE	PROCESS CONNECTION	CHAMBER END TOP	CHAMBER END BOTTOM
1	1	MAGNETIC LEVEL GAUGE	316 L	TOP MOUNT			FLANGE 4" RF #150	FLAT WITH 1/2" VENT PLUG	FLANGE WITH 1/2" DRAIN PLUG



PART LIST		
ITEM	DESCRIPTION	QTY.
1	FLANGE 4" RF	1
2	CAP	1
3	PLUG 1/2"	1
4	INDICATOR	1
5	MAIN PIPE 2"	1
6	FLOATER	1
7	MAGNET	1
8	PROBE	1

DESCRIPTION:

MAGNETIC LEVEL GAUGE

DRAWN BY: **MR.Yadegary**
 CHEKED BY: **MR.Zarrineh**
 DESIGNED BY: **MR.zalpour**

2024/12/15
 2024/12/15
 2024/12/15

PURCHASE:

NOTE:
 Drawing no t to scale
 Unit:mm

Rev:00

WWW.ARAMAKCO.COM


ARAMAK SANAT HOOSHMAND

EMAIL: SALES@ARAMAKCO.COM