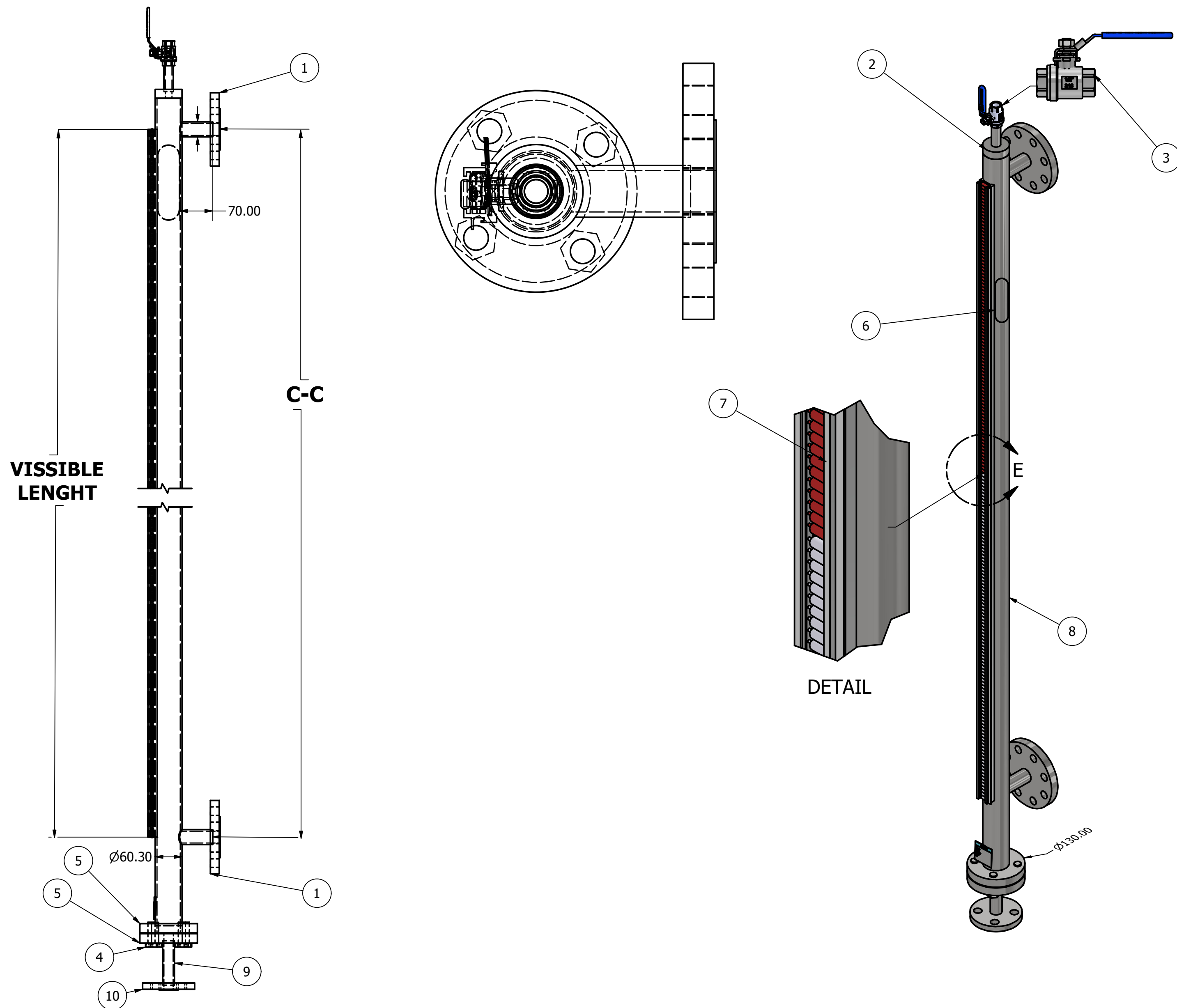


NO.	QTY.	DESCRIPTION	MATERIAL	MOUNTING	DESIGN	DENSITY	C-C	VISSIBLE	PROCESS CONNECTION	CHAMBER END TOP	CHAMBER END BOTTOM	CERTIFICATION
1	X	MAGNETIC LEVEL GAUGE	316 L	SIDE-SIDE	ECONOMIC	XXX	XXXmm	XXXmm	FLANGE X' RF #XXX	FLAT WITH 1/2" VENT VALVE	FLANGE X' #XXX RF	Material NACE MR0175



PART LIST			
ITEM	DESCRIPTION	MATERIAL	QTY.
1	FLANGE X" #XXX RF	316L	2
2	CAP	316L	1
3	BALL VALVE 1/2"	316L	1
4	BOLT	316L	4
5	FLANGE (ARAMAK STANDARD)	316L	2
6	MAGNETIC FLOATER	TITANIUM	1
7	INDICATOR	ALUMINIUM	1
8	MAIN PIPE 2"	316L	1
9	NIPPLE X"	316L	1
10	FLANGE X #XXX RF	316L	1

DESCRIPTION:

**MAGNETIC LEVEL GAUGE**

DRAWN BY: **MR.Yadegary**  
 CHEKED BY: **MR.Zarrineh**  
 DESIGNED BY: **MR.zalpour**

2025/01/22  
 2025/01/22  
 2025/01/22

PURCHASE:

-----

NOTE:  
 Drawing no t to scale  
 Unit:mm  
 TAG NO. :

**ARAMAK SANAT HOOSHMAND**

Rev:03

WWW.ARAMAKCO.COM

EMAIL: SALES@ARAMAKCO.COM