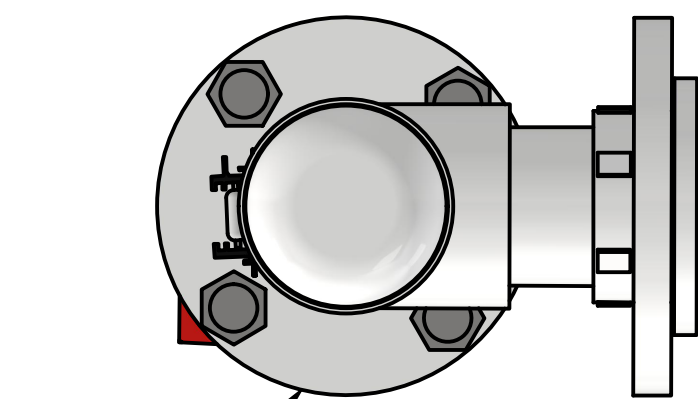
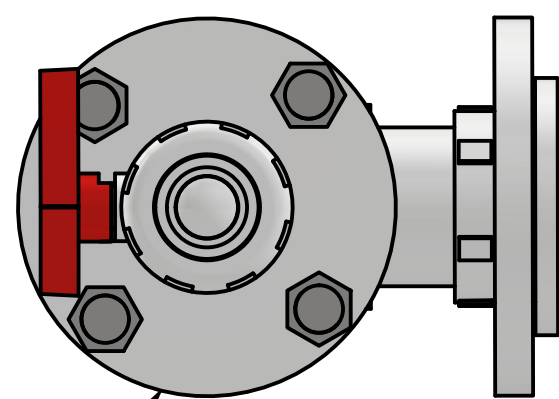


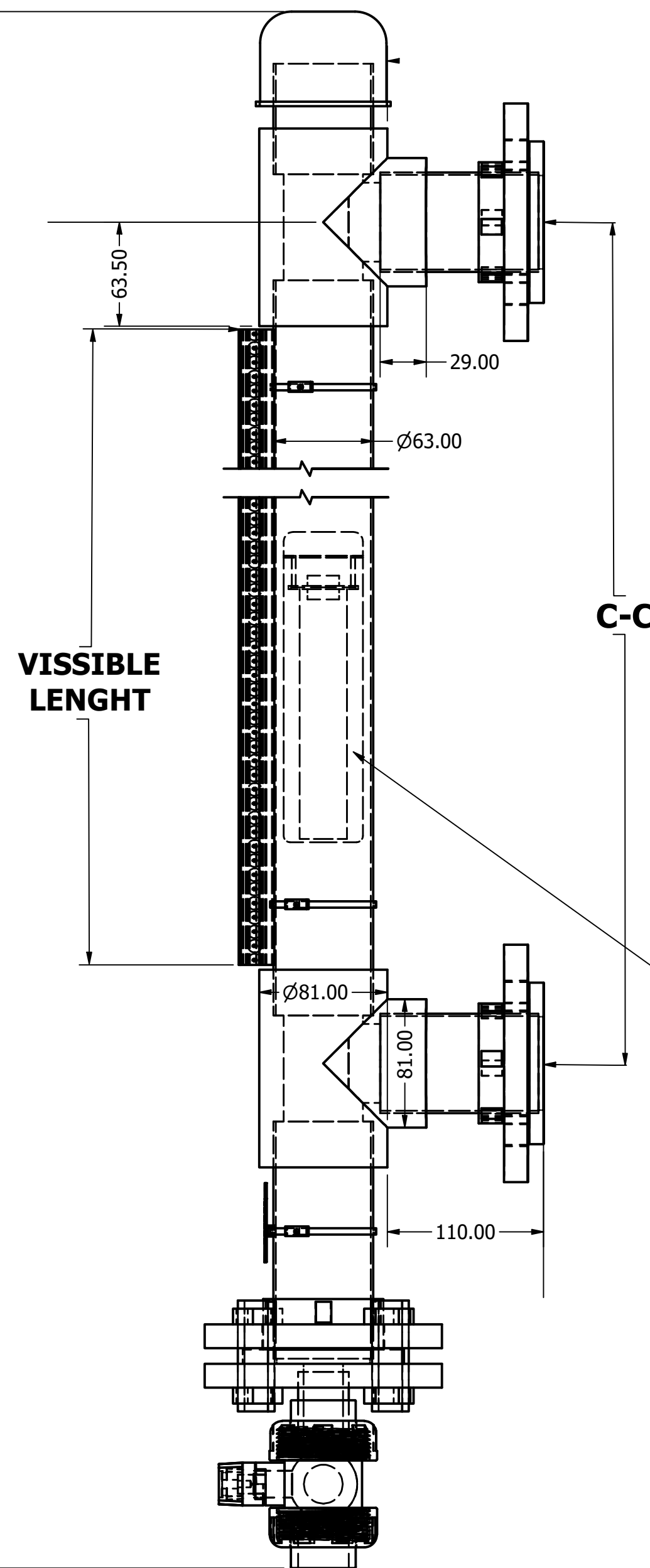
NO.	QTY.	TAG.	DESCRIPTION	MATERIAL	MOUNTING	DENSITY	DESIGN	C-C	VISSIBLE	PROCESS CONNECTION	CHAMBER END TOP	CHAMBER END BOTTOM
1			MAGNETIC LEVEL GAUGE		SIDE-SIDE						FLAT	FLANGE WITH 1/2" DRAIN PLUG



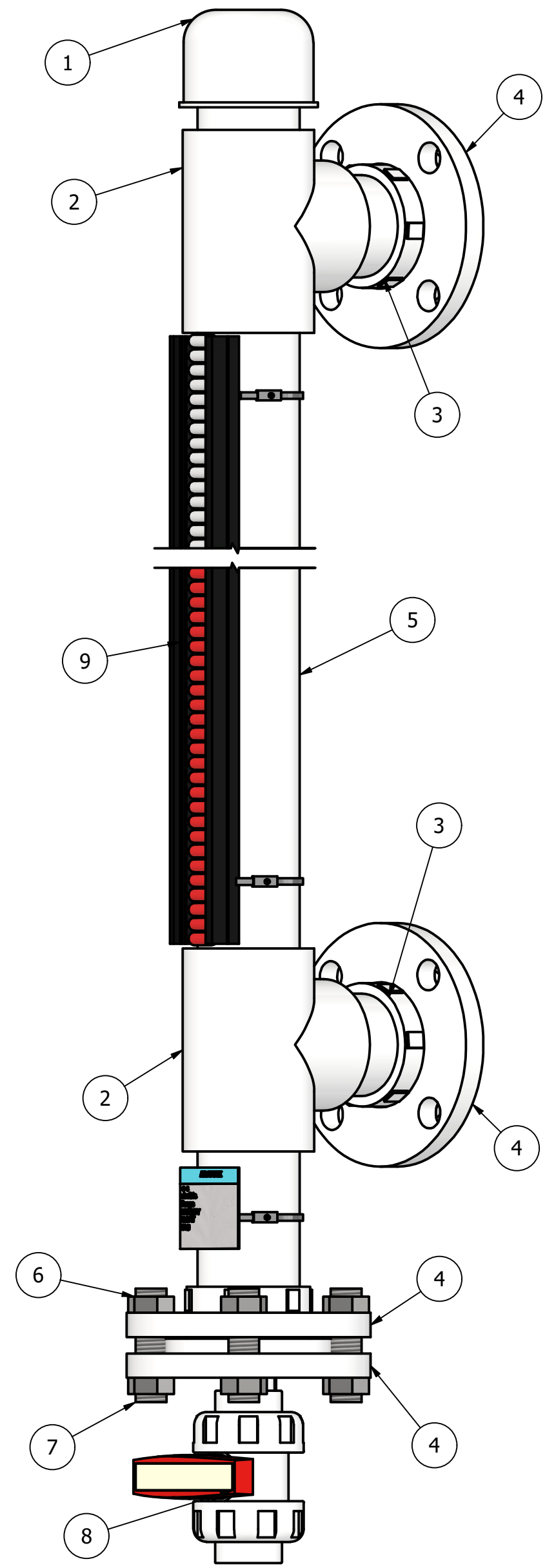
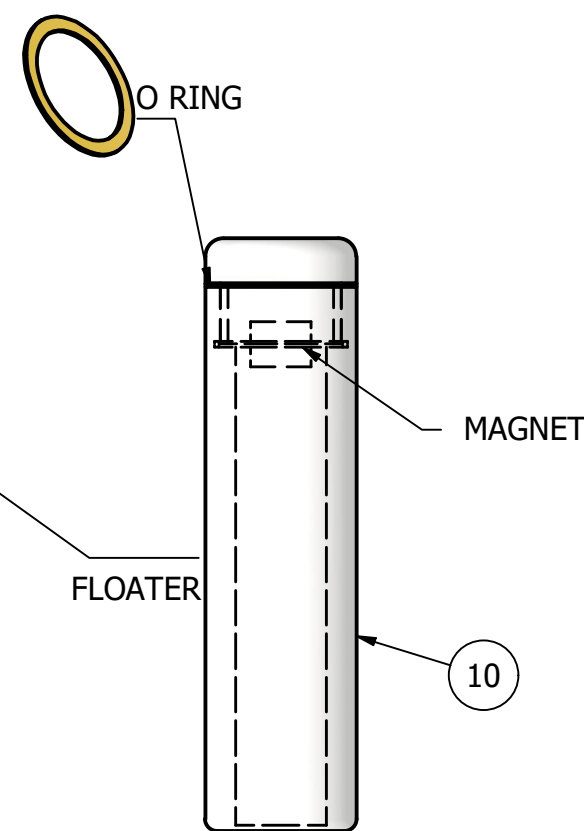
UP VIEW



DOWN VIEW



C-C



PART LIST			
ITEM	DESCRIPTION	MATERIAL	QTY.
1	CAP	PVDF/PP/PVC	1
2	TEE	PVDF/PP/PVC	2
3	FLANGE ADAPTOR	PVDF/PP/PVC	2
4	FLANGE 2"	PVDF/PP/PVC	4
5	MAIN PIPE	PVDF/PP/PVC	1
6	NUT	S.S	8
7	BOLT	S.S	4
8	1/2" DRAIN VALVE	PVDF/PP/PVC	1
9	INDICATOR	Aluminium	1
10	FLOATER	PVDF/PP/PVC	1

DESCRIPTION:

MAGNETIC LEVEL GAUGE

DRAWN BY: **MR.Yadegary**
 CHEKED BY: **MR.Zarrineh**
 DESIGNED BY: **MR.zalpour**

2025/04/05
 2025/04/05
 2025/04/05

PURCHASE:

KAVIAN

NOTE:
 Drawing no t to scale
 Unit:mm

ARAMAK SANAT HOOSHMAND

Rev:00

WWW.ARAMAKCO.COM

EMAIL: SALES@ARAMAKCO.COM